

ZGL120094



CHARACTERISTIC / CARATTERISTICHE	
Volt	12V
Capacity / Capacità	20h 210Ah
	5h 178.50Ah
Internal Resistance	Full Charged Battery 25°C ≤3.5mΩ
Capacity affected by Temperature / Effetti delle temperature sulla capacità	40°C 102%
	25°C 100%
	0°C 85%
	-15° 65%
Self-Discharge 25°C Capacity / Autoscarica a 25°C	after 3 month storage 90%
	after 6 month storage 80%
	after 12 month storage 62%
Charge (Costant Voltage 25°C)	Float Volt 13.6 - 13.8V
	Charge Max.58Amp. 14.4 - 14.9 Volt

CHARACTERISTIC / CARATTERISTICHE			
Battery dimensions / Dimensioni batteria			
L/L	W/P	H/A	Tot - H/A
522	238	218	220
Box Dimensions / Dimensioni scatola			
L/L	W/P	H/A	
-	-	-	
Weight / Peso		61Kg	
Terminal / Terminali		M8	
Case / Contenitore		ABS	

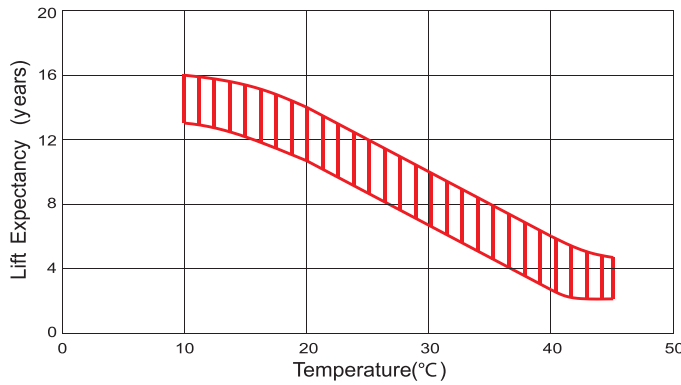
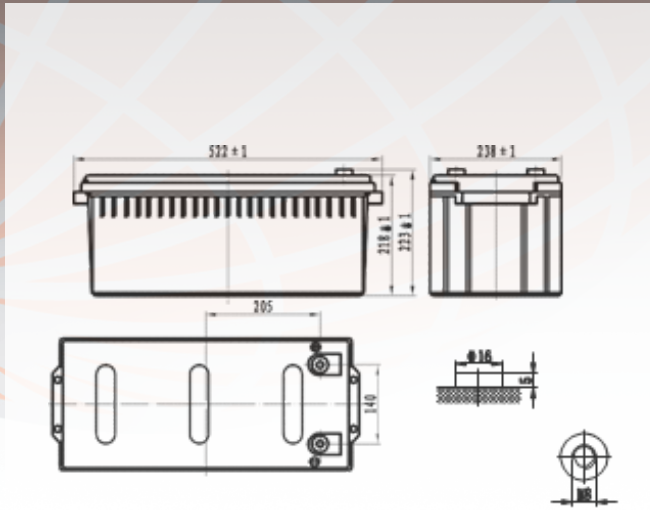
Amp. (25°C)

F.V/Time	5min	10min	15min	30min	45min	1h	2h	3h	5h	8h	10h	20h
1.60V		381	309	210		137		61.9	40.5		20.5	10.0
1.65V		358	290	197		129		59.0	38.9		19.9	9.87
1.70V		338	276	188		124		56.7	37.9		19.5	9.67
1.75V		312	253	172		114		53.3	35.7		18.8	9.60
1.80V		287	234	160		107		50.1	33.7		18.0	9.41

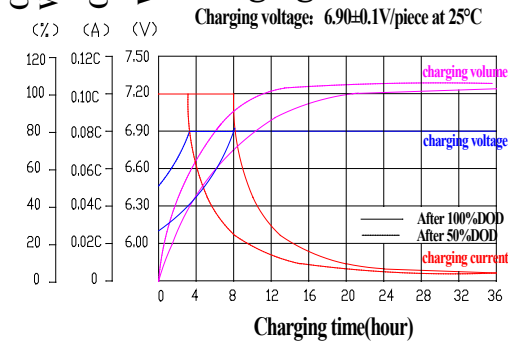
Watts (25°C)

F.V/Time	5min	10min	15min	30min	45min	1h	2h	3h	5h	8h	10h	20h
1.60V		665	550	377	293	251	153	116	76.1			
1.65V		634	524	360	280	241	147	112	74.2			
1.70V		608	507	349	273	235	143	109	73.5			
1.75V		569	471	323	254	219	136	104	70.2			
1.80V		532	443	306	241	208	129	100	67.3			

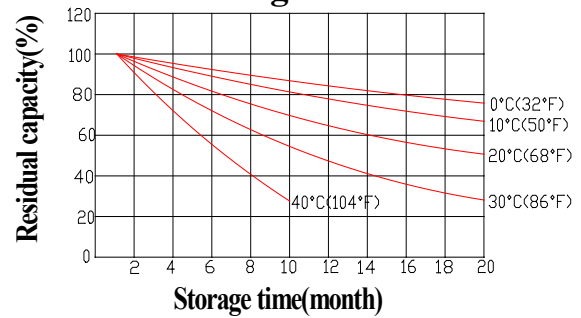
ZGL120094



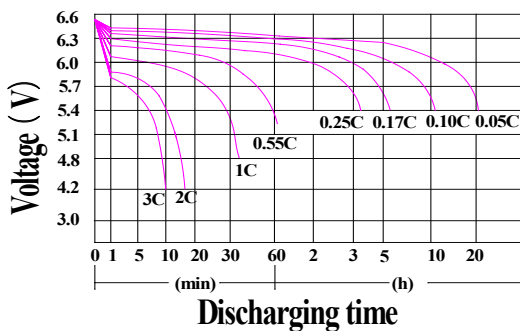
Charging characteristics



Temperature effect on battery self-discharge



Discharge characteristics (25°C)



Temperature effect on capacity

