

BATTERIA SIGILLATA AGM DEEP-CYCLE (USO CICLICO)
DEEP-CYCLE AGM MAINTENANCE FREE BATTERY

ZL060110



CHARACTERISTIC / CARATTERISTICHE

| | | |
|--|----------------------------------|---|
| Volt | 6V | |
| Capacity / Capacità | 20h | 225Ah |
| | 5h | 182Ah |
| Internal Resistance | Full Charged Battery 25°C ≤3.0mΩ | |
| Capacity affected by Temperature / Effetti delle temperature sulla capacità | 40°C | 102% |
| | 25°C | 100% |
| | 0°C | 85% |
| Self-Discharge 25°C Capacity / Autoscarica a 25°C | after 3 month storage | 90% |
| | after 6 month storage | 80% |
| | after 12 month storage | 62% |
| Charge cycle / Ciclo di carica | IU + h | "In" max. 42Amp; "V1" 2.43V/cell |
| | IUIa | "In" max. 42Amp; "V1" 7.2Volt; "If" 2Amp. |

CHARACTERISTIC / CARATTERISTICHE

| | | | |
|--|-----|---------|-----------|
| Battery dimensions / Dimensioni batteria | | | |
| L/L | W/P | H/A | Tot - H/A |
| 260 | 180 | 270 | 275 |
| Box Dimensions / Dimensioni scatola | | | |
| L/L | W/P | H/A | |
| 275 | 194 | 305 | |
| USA Type | | GC105 | |
| Weight / Peso | | 30,5 Kg | |
| Terminal / Terminali | | M8 | |
| Case / Contenitore | | ABS | |

Amp. (25°C)

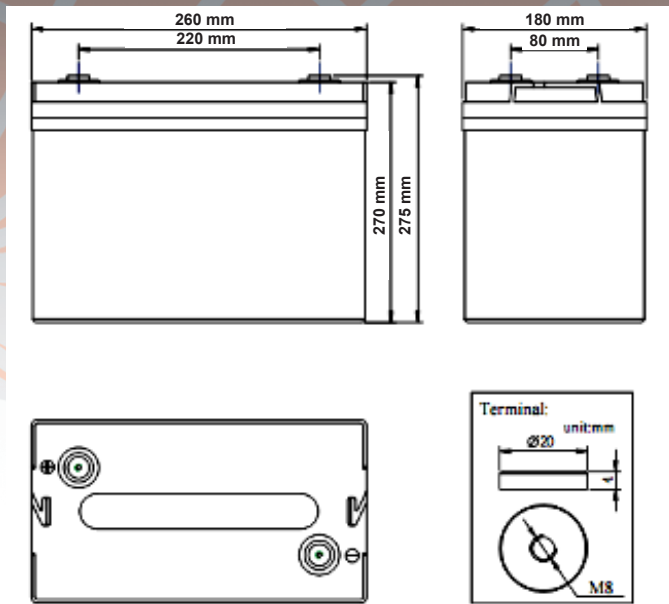
| F.V/Time | 5min | 10min | 15min | 30min | 45min | 1h | 2h | 3h | 5h | 8h | 10h | 20h |
|----------|-------|-------|-------|-------|-------|-------|------|------|------|------|------|-------|
| 1.60V | 499.0 | 318.1 | 270.3 | 172.6 | 126.8 | 116.4 | 74.0 | 52.0 | 35.3 | 23.3 | 20.8 | 11.5 |
| 1.65V | 489.9 | 312.3 | 265.4 | 169.4 | 124.5 | 114.3 | 72.7 | 51.0 | 34.7 | 22.9 | 20.4 | 11.3 |
| 1.70V | 480.8 | 306.5 | 260.4 | 166.3 | 122.2 | 112.2 | 71.3 | 50.1 | 34.1 | 22.4 | 20.0 | 11.1 |
| 1.75V | 471.7 | 300.7 | 255.5 | 163.1 | 119.9 | 110.1 | 70.0 | 49.1 | 33.4 | 22.0 | 19.7 | 10.9 |
| 1.80V | 453.6 | 289.2 | 245.7 | 156.9 | 115.3 | 105.8 | 67.3 | 47.3 | 32.1 | 21.2 | 18.9 | 10.50 |

Watts (25°C)

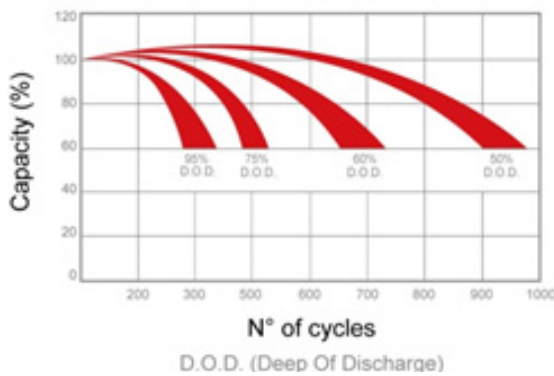
| F.V/Time | 5min | 10min | 15min | 30min | 45min | 1h | 2h | 3h | 5h | 8h | 10h | 20h |
|----------|-------|-------|-------|-------|-------|-------|-------|-------|------|------|------|------|
| 1.60V | 960.5 | 612.3 | 520.3 | 332.2 | 244.1 | 224.1 | 142.5 | 100.1 | 68.0 | 44.8 | 40.0 | 22.2 |
| 1.65V | 943.0 | 601.2 | 510.8 | 326.1 | 239.7 | 220.0 | 139.9 | 98.2 | 66.8 | 44.0 | 39.3 | 21.8 |
| 1.70V | 925.6 | 590.1 | 501.4 | 320.1 | 235.2 | 216.0 | 137.3 | 96.4 | 65.6 | 43.2 | 38.6 | 21.4 |
| 1.75V | 908.1 | 578.9 | 491.9 | 314.1 | 230.8 | 211.9 | 134.7 | 94.6 | 64.3 | 42.4 | 37.8 | 21.0 |
| 1.80V | 873.2 | 556.7 | 473.0 | 302.0 | 221.9 | 203.7 | 129.5 | 91.0 | 61.9 | 40.7 | 36.4 | 20.2 |

**BATTERIA SIGILLATA AGM DEEP-CYCLE (USO CICLICO)
DEEP-CYCLE AGM MAINTENANCE FREE BATTERY**

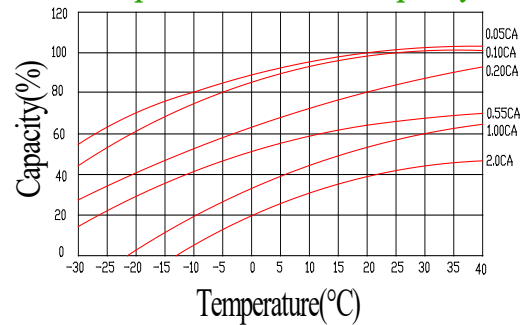
ZL060110



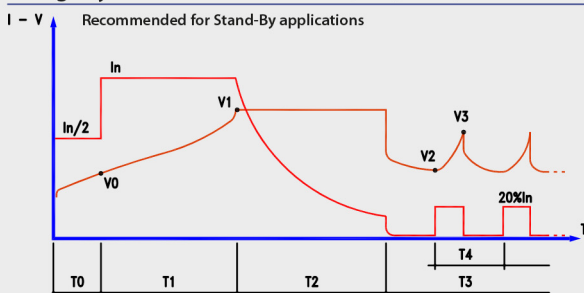
Charge Cycles (25°C)



Temperature effect on capacity



Charge cycle for sealed batteries (GEL/AGM): IU + holding

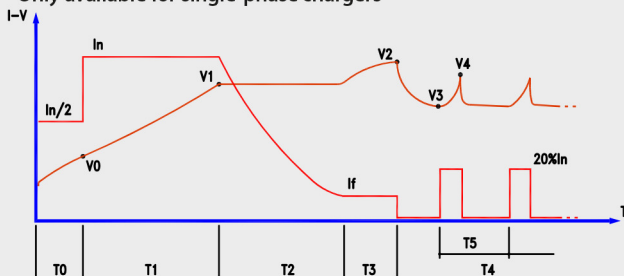


- In = PROGRAMMED CAPACITY/10
- V0 = 1,90 V/CELL
- V1 = PROGRAMMED VALUE
- V2 = 2.10 V/CELL
- V3 = 2.30 V/CELL
- T0 = MAX. 1 HR
- T1 = MAX. 12 HRS
- T2 = T1 (MIN. 2-MAX. 5 HRS)
- T3 = UNLIMITED

“IUIa” charge cycle is always recommended in case of more than 2 batteries in series
Ciclo di carica “IUIa” è sempre necessario qualora ci siano più di 2 batterie collegate in serie.

IUIa charge cycle

Only available for single-phase chargers



- In = PROGRAMMED VALUE (CHARGE I)
- If = PROGRAMMED VALUE (FINAL I)
- V0 = 1,90 V/CELL
- V1 = PROGRAMMED VALUE (THRESHOLD V)
- V2 = PROGRAMMED VALUE (LOCK V)
- V3 = 2.10 V/CELL
- V4 = 2.30 V/CELL
- T0 = MAX. 1 HR
- T1 = MAX. 12 HRS
- T2 = MAX. T1+6 HRS OR I = IF
- T3 = MAX. 4 HRS
- T4 = UNLIMITED
- T5 = MAX. 6 HRS