

BATTERIA SIGILLATA AGM DEEP-CYCLE (USO CICLICO)
DEEP-CYCLE AGM MAINTENANCE FREE BATTERY

ZL120130



CHARACTERISTIC / CARATTERISTICHE

Volt	12V	
Capacity / Capacità	20h	26Ah
	5h	22Ah
Internal Resistance	Full Charged Battery 25°C ≤12mΩ	
Capacity affected by Temperature / Effetti delle temperature sulla capacità	40°C	102%
	25°C	100%
	0°C	85%
Self-Discharge 25°C Capacity / Autoscarica a 25°C	after 3 month storage	90%
	after 6 month storage	80%
	after 12 month storage	62%
Charge cycle / Ciclo di carica	IU + h	"In" max. 5.6Amp; "V1" 2.43V/cell
	IUIa	

CHARACTERISTIC / CARATTERISTICHE

Battery dimensions / Dimensioni batteria			
L/L	W/P	H/A	Tot - H/A
165	174	125	125
Box Dimensions / Dimensioni scatola			
L/L	W/P	H/A	
212	180	220	
Weight / Peso		8,4 Kg	
Terminal / Terminali		M6	
Case / Contenitore		ABS	

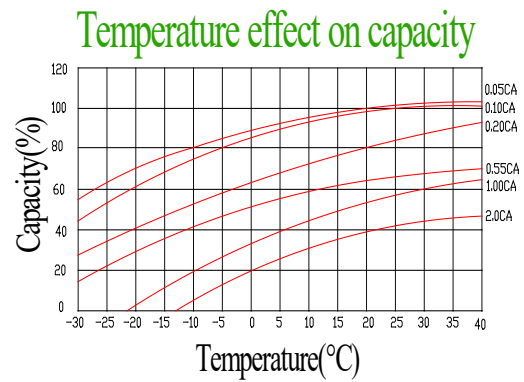
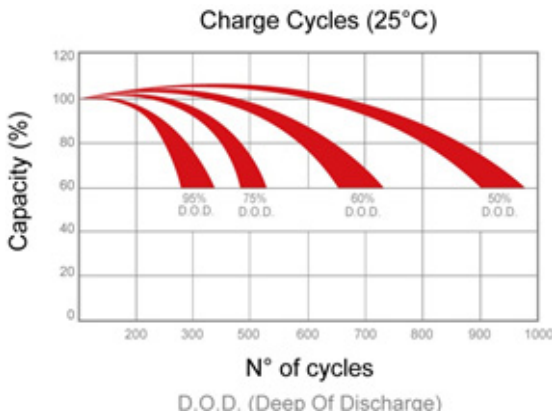
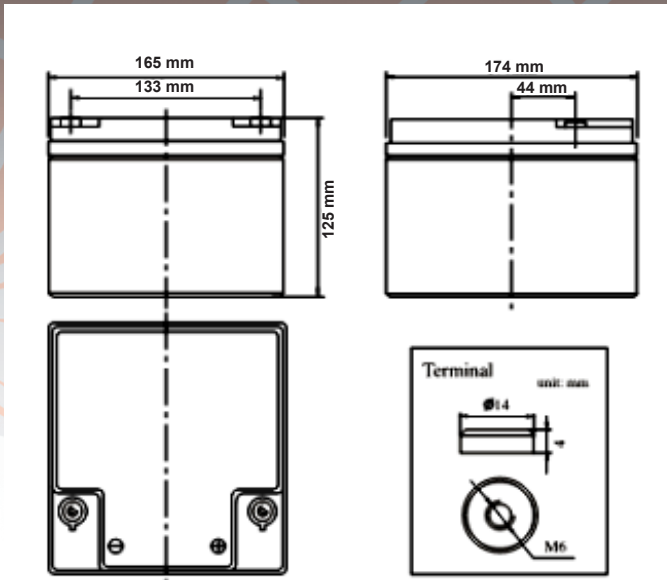
Amp. (25°C)

F.V/Time	5min	10min	15min	30min	45min	1h	2h	3h	5h	8h	10h	20h
1.60V			30.9	19.7	14.5	13.3	8.5	5.9	4.0	2.7	2.4	1.3
1.65V			30.3	19.3	14.3	13.1	8.3	5.8	4.0	2.6	2.3	1.27
1.70V			29.8	19.0	14.0	12.8	8.2	5.7	3.9	2.6	2.3	1.25
1.75V			29.2	18.6	13.7	12.6	8.0	5.6	3.8	2.5	2.2	1.22
1.80V			28.1	17.9	13.2	12.1	7.7	5.4	3.7	2.4	2.2	1.2

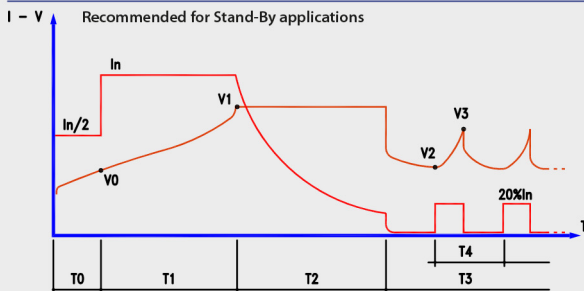
Watts (25°C)

F.V/Time	5min	10min	15min	30min	45min	1h	2h	3h	5h	8h	10h	20h
1.60V			59.5	37.9	28.0	25.7	16.3	11.4	7.8	5.1	4.6	2.5
1.65V			58.4	37.2	27.4	25.2	16.0	11.2	7.6	5.0	4.5	2.4
1.70V			57.3	36.5	26.9	24.7	15.7	11.0	7.5	4.9	4.4	2.4
1.75V			56.2	35.8	26.4	24.3	15.4	10.8	7.4	4.9	4.3	2.4
1.80V			54.1	34.4	25.4	23.3	14.8	10.4	7.1	4.7	4.2	2.3

ZL120130



Charge cycle for sealed batteries (GEL/AGM): IU + holding



- I_n = PROGRAMMED CAPACITY/10
- V_0 = 1,90 V/CELL
- V_1 = PROGRAMMED VALUE
- V_2 = 2,10 V/CELL
- V_3 = 2,30 V/CELL
- T_0 = MAX. 1 HR
- T_1 = MAX. 12 HRS
- T_2 = T_1 (MIN. 2-MAX. 5 HRS)
- T_3 = UNLIMITED