

BATTERIA SIGILLATA AGM DEEP-CYCLE (USO CICLICO)
DEEP-CYCLE AGM MAINTENANCE FREE BATTERY

ZL120185



CHARACTERISTIC / CARATTERISTICHE

Volt	12V	
Capacity / Capacità	20h	110Ah
	5h	90Ah
Internal Resistance	Full Charged Battery 25°C ≤5.3mΩ	
Capacity affected by Temperature / Effetti delle temperature sulla capacità	40°C	102%
	25°C	100%
	0°C	85%
Self-Discharge 25°C Capacity / Autoscarica a 25°C	after 3 month storage	90%
	after 6 month storage	80%
	after 12 month storage	62%
Charge cycle / Ciclo di carica	IU + h	"In" max. 20Amp; "V1" 2.43V/cell
	IUIa	"In" max. 20Amp; "V1" 14.4Volt; "If" 1Amp.

CHARACTERISTIC / CARATTERISTICHE

Battery dimensions / Dimensioni batteria			
L/L	W/P	H/A	Tot - H/A
306	170	210	215
Box Dimensions / Dimensioni scatola			
L/L	W/P	H/A	
322	184	251	
USA Type	27		
Weight / Peso	30,5 Kg		
Terminal / Terminali	M8		
Case / Contenitore	ABS		

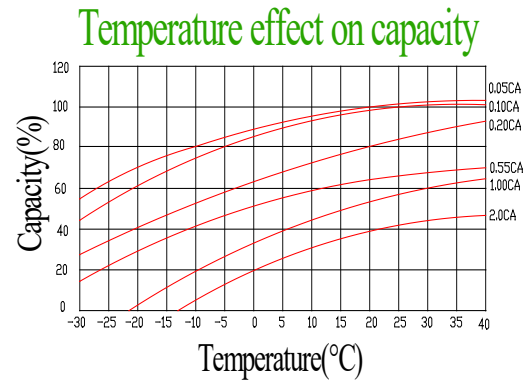
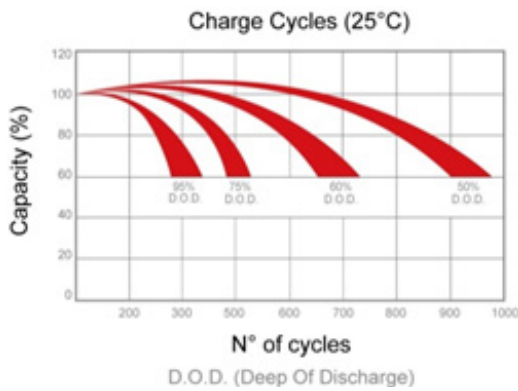
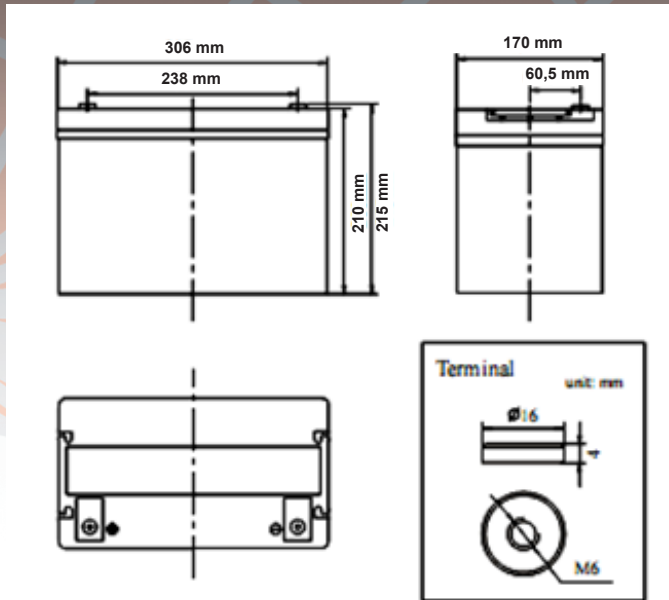
Amp. (25°C)

F.V/Time	5min	10min	15min	30min	45min	1h	2h	3h	5h	8h	10h	20h
1.60V	237.6	151.5	128.7	82.2	60.4	55.4	35.2	24.8	16.8	11.1	9.9	5.5
1.65V	233.3	148.7	126.4	80.7	59.3	54.4	34.6	24.3	16.5	10.9	9.7	5.4
1.70V	229.0	146.0	124.0	79.2	58.2	53.4	34.0	23.9	16.2	10.7	9.5	5.3
1.75V	224.6	143.2	121.7	77.7	57.1	52.4	33.3	23.4	15.9	10.5	9.4	5.2
1.80V	216.0	137.7	117.0	74.7	54.9	50.4	32.0	22.5	15.3	10.1	9.0	5.00

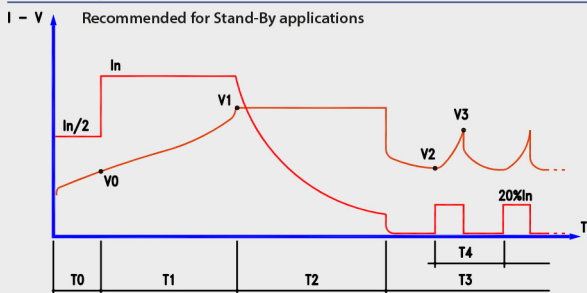
Watts (25°C)

F.V/Time	5min	10min	15min	30min	45min	1h	2h	3h	5h	8h	10h	20h
1.60V	457.4	291.6	247.7	158.2	116.3	106.7	67.8	47.6	32.4	21.3	19.1	10.6
1.65V	449.1	286.3	243.2	155.3	114.1	104.8	66.6	46.8	31.8	21.0	18.7	10.4
1.70V	440.7	281.0	238.7	152.4	112.0	102.8	65.4	45.9	31.2	20.6	18.4	10.2
1.75V	432.4	275.7	234.2	149.5	109.9	100.9	64.1	45.0	30.6	20.2	18.0	10.0
1.80V	415.8	265.1	225.2	143.8	105.7	97.0	61.7	43.3	29.5	19.4	17.3	9.6

ZL120185



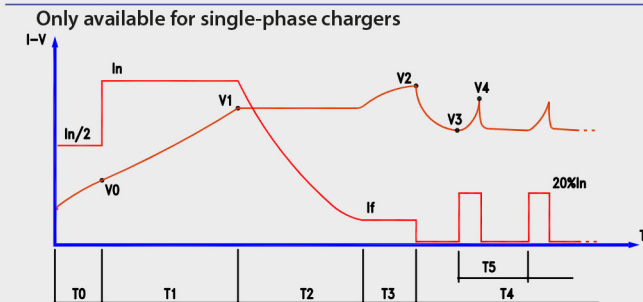
Charge cycle for sealed batteries (GEL/AGM): IU + holding



- I_n = PROGRAMMED CAPACITY/10
- V_0 = 1,90 V/CELL
- V_1 = PROGRAMMED VALUE
- V_2 = 2.10 V/CELL
- V_3 = 2.30 V/CELL
- T_0 = MAX. 1 HR
- T_1 = MAX. 12 HRS
- T_2 = T_1 (MIN. 2-MAX. 5 HRS)
- T_3 = UNLIMITED

"IUIa" charge cycle is always recommended in case of more than 2 batteries in series
Ciclo di carica "IUIa" è sempre necessario qualora ci siano più di 2 batterie collegate in serie.

IUIa charge cycle



- I_n = PROGRAMMED VALUE (CHARGE I)
- I_f = PROGRAMMED VALUE (FINAL I)
- V_0 = 1,90 V/CELL
- V_1 = PROGRAMMED VALUE (THRESHOLD V)
- V_2 = PROGRAMMED VALUE (LOCK V)
- V_3 = 2.10 V/CELL
- V_4 = 2.30 V/CELL
- T_0 = MAX. 1 HR
- T_1 = MAX. 12 HRS
- T_2 = MAX. $T_1 + 6$ HRS OR $I = I_f$
- T_3 = MAX. 4 HRS
- T_4 = UNLIMITED
- T_5 = MAX. 6 HRS