



# FLG 12-150

## PHYSICAL SPECIFICATION

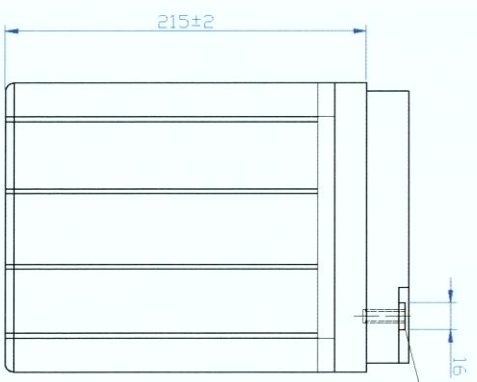
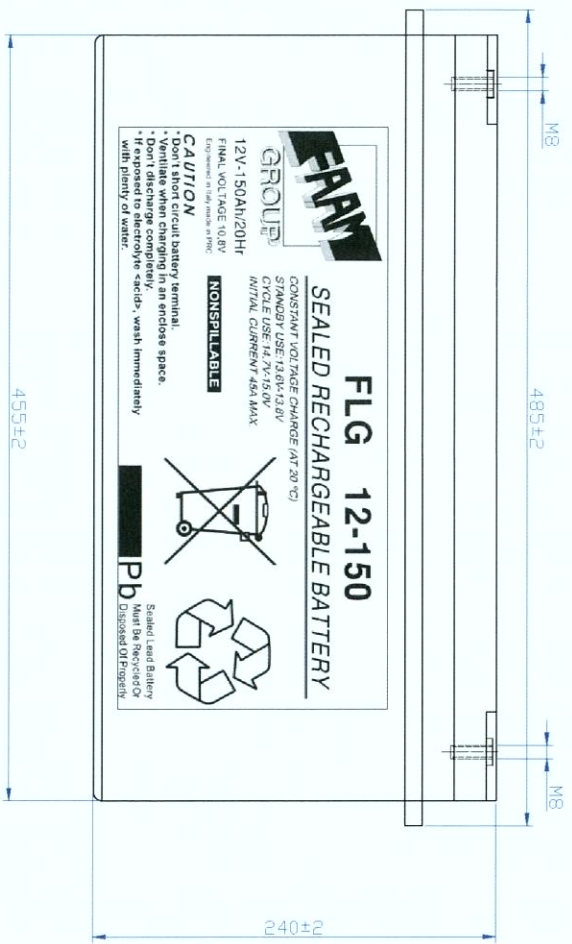
|                         |                  |                                       |
|-------------------------|------------------|---------------------------------------|
| Nominal Voltage         |                  | 12V                                   |
| Nominal Capacity (20Hr) |                  | 150Ah                                 |
| Dimension               | Length           | 485±2mm                               |
|                         | Width            | 172±2mm                               |
|                         | Container Height | 240±2mm                               |
|                         | Total Height     | 240±2mm                               |
| Drawing 400327-0        |                  | Weight 47,5 Kg ± 5%                   |
| Standard Terminal       |                  | Bolt Type: M8                         |
|                         |                  | Bolt-and-nut terminal<br>Bolt Type:M8 |
|                         |                  |                                       |
|                         |                  | (in mm)                               |

## ELECTRICAL SPECIFICATION

| Characteristics                  |              |  | Discharge curves @ 25°C (77 °F)            |  |
|----------------------------------|--------------|--|--|--|
| Capacity                         | 20 hour rate | 150,00Ah   | Discharge Characteristics(25°C/77 ° F)<br> |  |
|                                  | 10 hour rate | 135,00Ah   |  |  |
|                                  | 5 hour rate  | 118,60Ah   |  |  |
|                                  | 3 hour rate  | 103,95Ah   |  |  |
|                                  | 1 hour rate  | 70,86Ah  |  |  |
| Capacity affected by temperature | 40°C         | 102%   |  |  |
|                                  | 20°C         | 100%   |  |  |
|                                  | 0°C          | 85%  |  |  |
| Internal Resistance 3,9 mΩ ±10%  |              | SCC 3250 A ±10%  |  |  |
| Constant Voltage Charge          | Cycle        | Initial Charging Current less than 45 A<br>Voltage 14,4~15,0V at 20°C<br>Temperature Coefficient -30 mV/°C |  |  |
|                                  | Stand by     | No limit on Initial Charging Current<br>Voltage 13,5~13,8V at 20°C<br>Temperature Coefficient -20 mV/°C    |  |  |

### Constant Current(Amp) and Constant Power (Watt/Cell) Discharge Table at 25°C

| Time  |   | 5min   | 15min  | 30min  | 60min  | 90min  | 120min | 180min | 300min | 480min | 600min |
|-------|---|--------|--------|--------|--------|--------|--------|--------|--------|--------|--------|
| 9.9V  | A | 204,28 | 144,89 | 101,40 | 85,79  | 67,98  | 57,46  | 34,72  | 23,82  | 16,42  | 14,18  |
|       | W | 554,04 | 416,51 | 274,48 | 176,47 | 142,95 | 107,70 | 70,94  | 48,71  | 36,42  | 30,49  |
| 10.2V | A | 185,64 | 143,39 | 98,38  | 70,44  | 55,82  | 47,18  | 34,65  | 23,72  | 16,35  | 13,97  |
|       | W | 538,86 | 403,20 | 265,95 | 170,99 | 138,51 | 104,36 | 70,52  | 48,43  | 36,21  | 30,43  |
| 10.8V | A | 149,11 | 124,90 | 93,46  | 68,80  | 54,51  | 46,08  | 34,26  | 23,34  | 16,09  | 13,50  |
|       | W | 505,97 | 380,38 | 250,90 | 161,31 | 130,67 | 98,45  | 69,14  | 47,48  | 35,50  | 29,83  |

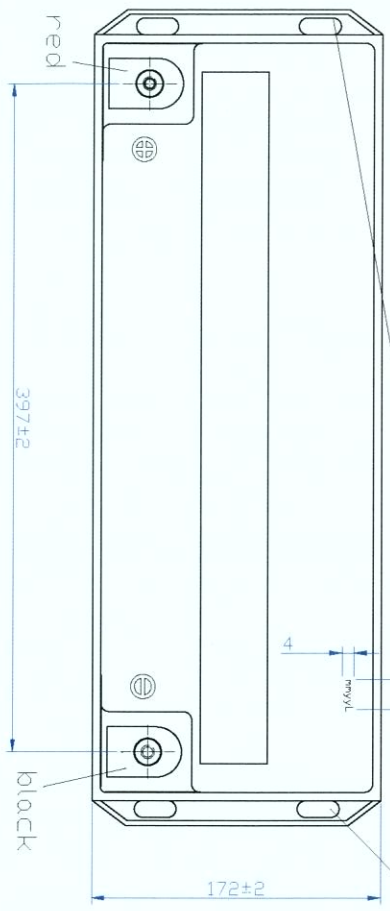


inserto filettato M8  
threaded insert M8

attacchi per maniglie di sollevamento/  
fits for lifting handles

date of production:  
mmyl  
| | site of production  
| | year of production  
| | month of production

colour of box and lid: dark grey  
colour of silkscreen: white



|   |           |   |                |                    |                                    |
|---|-----------|---|----------------|--------------------|------------------------------------|
| REV.  | DATA/DATE | PROGETTISTA/DESIGNER                    | DISSEGNO/DRAWN | APPROVATO/APPROVED | DESCRIZIONE MODIFICAZIONE/REVISION |
|   |           |   |                |                    |                                    |
| INDICAZIONE GENERALE/GENERAL INDICATION   |           | MATERIALE/MATERIAL                      |                | R. NUMERO          | PROGETTISTA/DESIGNER               |
| GRADO DI PRECISIONE/DEGREE OF ACCURACY  |           | ABS FVO Pb/Ca                           |                |                    | R. PARENTI                         |
| NORMA UNI 6907/STANDARD UNI 6907  |           | BATTERIE STAZIONARIE/STATIONARY BATTERY |                |                    | S. BALDASSARRI                     |
| SOTTOTITOLI L. SPRESSE/ISSUES   |           | SOTTOTITOLO L. SPRESSE/ISSUE            |                | 4 009327.dwg       | APPROVATO/APPROVED                 |
| SCALE/SCALE   |           | PRODOTTORE/PRODUCER                     |                | COMPLESSIVO/CODICE | DATA/DATE                          |
| 1:3   |           | A3                                      |                | FLG 12-150         | 18.02.2011                         |
| INDICAZIONE/NOTE DESCRIPTION  |           | SOTTOTITOLO L. SPRESSE/ISSUE            |                | SERIE GEL          | CARICA/CARGO                       |
| BATTERIA STAZIONARIA COD. FLG 12-150 12V 150Ah/20h gel/<br>STATIONARY BATTERY CODE FLG 12-150 12V 150Ah/20h gel |           | 4 009327-0                              |                |                    |                                    |
|   |           | SOTTOTITOLO L. SPRESSE/ISSUE            |                | DATA/DATE          | TWO                                |
|   |           |   |                | R. ISIDORI         | 1                                  |

**FAAM S.p.A.** Via Montelli 63026 Monterubbiano (AP) ITALY  
Tel. ++39/07342581 Fax. ++39/0734258229 www.faam.com

Questo disegno è di proprietà della FAAM e non può essere riprodotto o reso noto senza autorizzazione scritta. This drawing is a proprietary and shall not be reproduced or released to otherwise authorized by FAAM.



12V-150Ah/20Hr  
FINAL VOLTAGE 10,8V  
Engineered in Italy made in PRC

**CAUTION**

- \* Don't short circuit battery terminal.
- \* Ventilate when charging in an enclosed space.
- \* Don't discharge completely.
- \* If exposed to electrolyte <acid>, wash immediately with plenty of water.

# FLG 12-150

## SEALED RECHARGEABLE BATTERY

CONSTANT VOLTAGE CHARGE (AT 20 °C)  
STANDBY USE: 13.6V-13.8V  
CYCLE USE: 14.7V-15.0V  
INITIAL CURRENT 45A MAX.

**NONSPILLABLE**



**Pb**

Sealed Lead Battery  
Must Be Recycled Or  
Disposed Of Properly