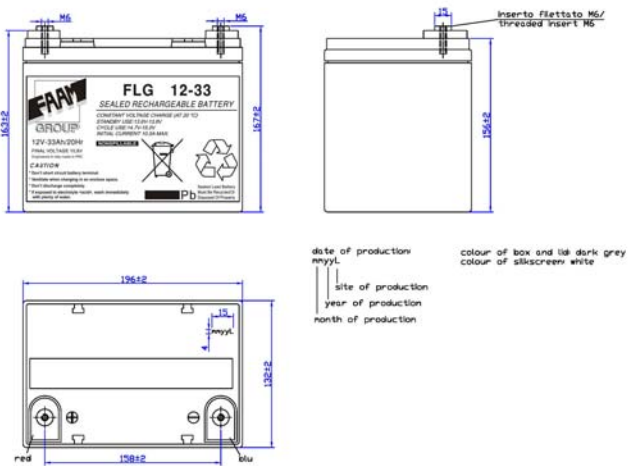


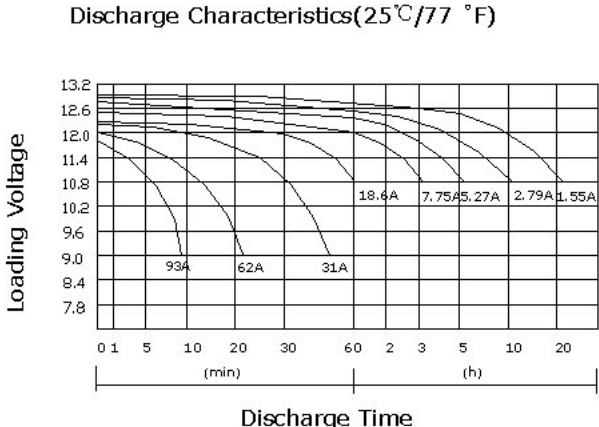


FLG 12-33

PHYSICAL SPECIFICATION

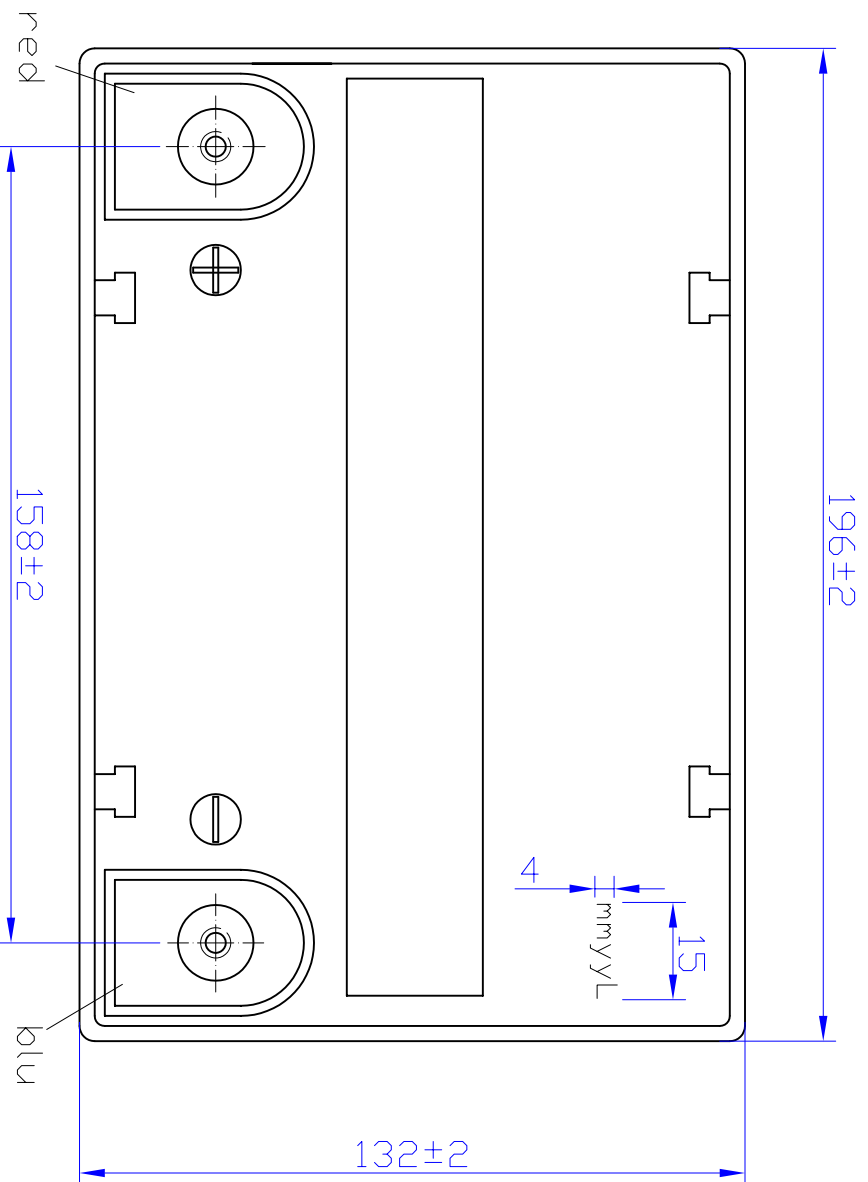
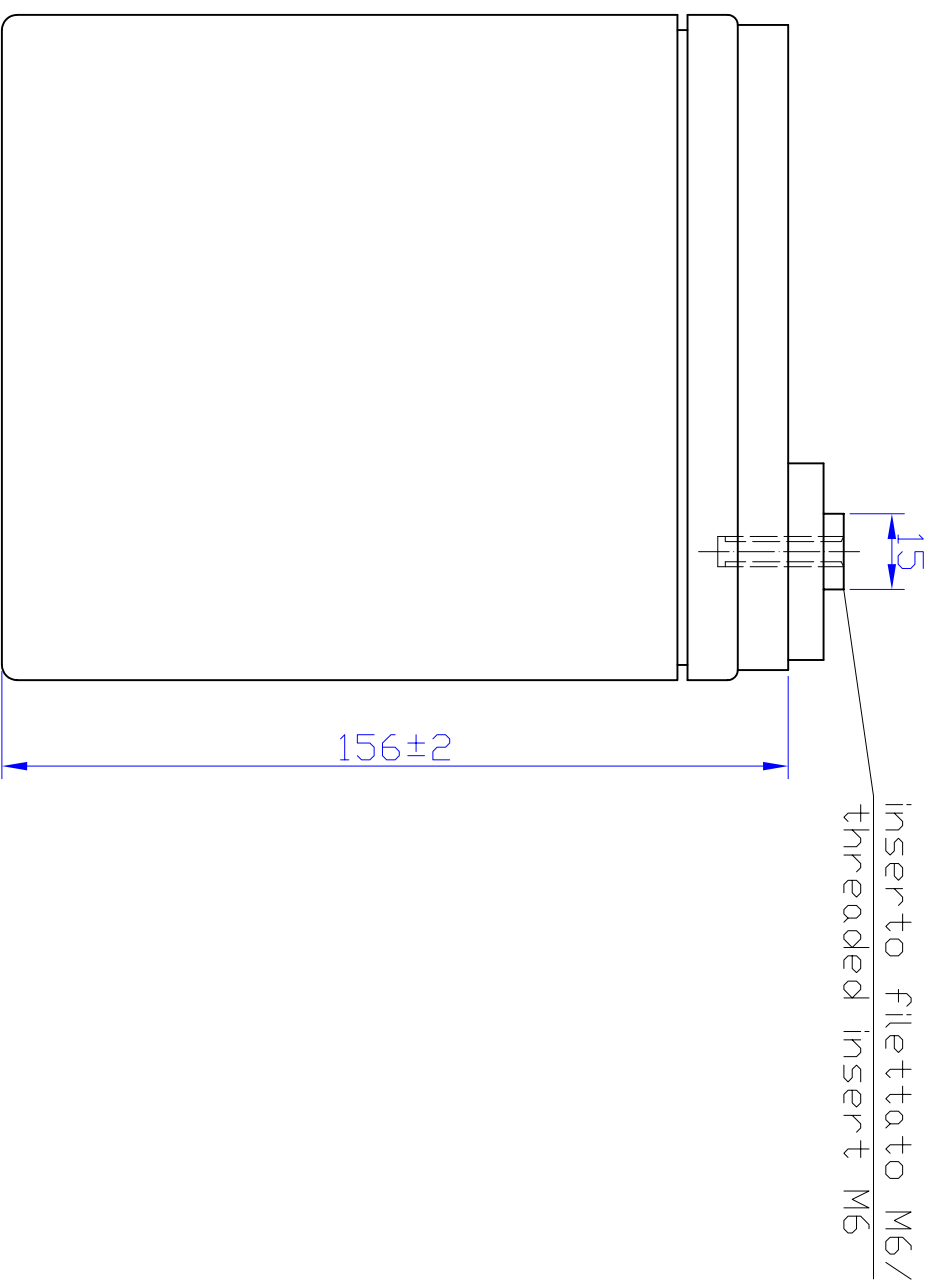
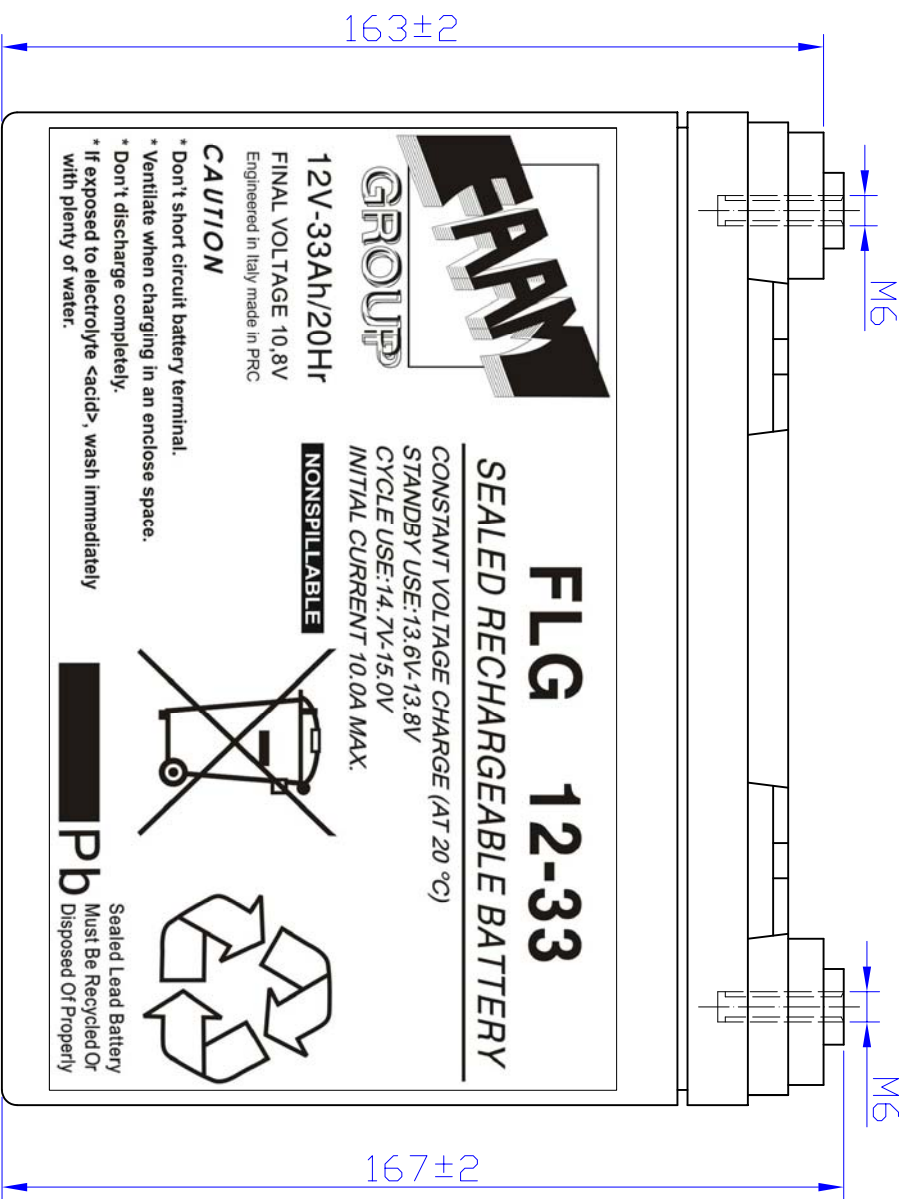
Nominal Voltage		12V
Nominal Capacity (20Hr)		33Ah
Dimension	Length	196 ±2mm
	Width	132 ±2mm
	Container Height	163 ±2mm
	Total Height	167 ±2mm
Drawing 400324-1		Weight 10.5 Kg ± 5%
Standard Terminal		Bolt Type: M6
 <p> Bolt-and-nut terminal Bolt Type: M6 </p> <p>(in mm)</p>		

ELECTRICAL SPECIFICATION

Characteristics			Discharge curves @ 25° C (77 °F)	
Capacity	20 hour rate	33,00Ah	 <p>Discharge Characteristics(25°C/77 °F)</p>	
	10 hour rate	28,00Ah		
	5 hour rate	24,20Ah		
	3 hour rate	21,57Ah		
	1 hour rate	14,70Ah		
Capacity affected by temperature	40° C	102%	<p>9.3A 6.2A 3.1A 18.4A 7.75A 5.27A 2.79A 1.55A</p>	
	20° C	100%		
	0° C	85%		
Internal Resistance 11 mΩ ±10%		SCC 800 A ±10%		
Constant Voltage Charge	Cycle	Initial Charging Current less than 9,3A Voltage 14,4~15,0V at 20° C Temperature Coefficient -30 mV/°C		
	Standby	No limit on Initial Charging Current Voltage 13,5~13,8V at 20° C Temperature Coefficient -20 mV/°C		

Constant Current(Amp) and Constant Power (Watt/Cell) Discharge Table at 25° C

Time		5min	15min	30min	60min	90min	120min	180min	300min	480min	600min
9.9V	A	42,37	30,05	21,03	17,79	14,10	11,92	7,20	4,94	3,41	2,94
	W	121,95	91,68	60,42	38,84	31,47	23,71	15,61	10,72	8,02	6,71
10.2V	A	38,50	29,74	20,40	14,61	11,58	9,78	7,19	4,92	3,39	2,90
	W	118,61	88,75	58,54	37,64	30,49	22,97	15,52	10,66	7,97	6,70
10.8V	A	30,93	25,91	19,38	14,27	11,31	9,56	7,11	4,84	3,34	2,80
	W	111,37	83,73	55,23	35,51	28,76	21,67	15,22	10,45	7,81	6,57

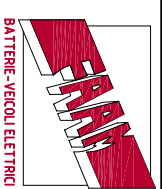


date of production:
mmyl

site of production
year of production
month of production

colour of box and lid: dark grey
colour of silkscreen: white

1	3.08.2012	R. PARENTI	S. BALDASSARRI	R. ISIDORI	MODIFICATE LE ALTEZZE/MODIFIED THE HEIGHTS			
REV.	DATA/DATE	PROGETTISTA/DESIGNER	DISSEGNAITO/DRAWN	APPROVATO/APPROVED	DESCRIZIONE MODIFICHE/DESCRIPTION REVISIONS			
INDICAZIONI GENERALI/GENERAL INDICATIONS			MATERIALE/MATERIAL		DUREZZA/HARDNESS			
GRADO DI PRECISIONE/DEGREE OF ACCURACY			ABS PVO Pb/Ca		PROGETTISTA/DESIGNER			
NORMA UNI 6307/STANDARD UNI 6307			BATTERIE STAZIONARIE/STATIONARY BATTERY		R. PARENTI			
SOSTITUISCIE IL/SUPPERSEES			SOSTITUITO DAL/SUPPERSEES BY:		DISSEGNAITO/DRAWN			
			4 00324-1.dwg		S. BALDASSARRI			
SCALA/SCALE			FOGLIO/SHEET		TIPO/TYP		VERSIONE/VERSION	
1:1.5			A3		SERIES GEL		CARICA/CHARGE	
DENOMINAZIONE/PART DESCRIPTION			CODICE/CODE		DISEGNO N°-REV./DRAWING N°-REV.		DATA/DATE	
BATTERIA STAZIONARIA COD. FLG 12-33 12V 33Ah/20h gel/ STATIONARY BATTERY CODE FLG 12-33 12V 33Ah/20h gel			FLG 12-33		16.02.2011		16.02.2011	
					4 00324-1		4 00324-1	
					R. ISIDORI		1	



FAAM S.p.A. Via Monti,11 63026 Monterubbiano (AP) ITALY
Tel. ++39/07342581 Fax. ++39/0734258229 www.faam.com

Questo disegno è di proprietà della FAAM e non può essere riprodotto o reso noto senza autorizzazione scritta. This drawing is a proprietary and shall not be reproduced or released to otherwise authorized by FAAM.



12V-33Ah/20Hr

FINAL VOLTAGE 10,8V

Engineered in Italy made in PRC

CAUTION

- * Don't short circuit battery terminal.
- * Ventilate when charging in an enclosed space.
- * Don't discharge completely.
- * If exposed to electrolyte <acid>, wash immediately with plenty of water.

FLG 12-33

SEALED RECHARGEABLE BATTERY

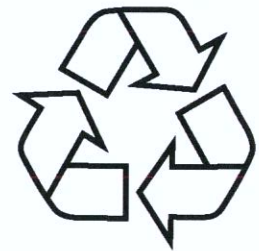
CONSTANT VOLTAGE CHARGE (AT 20 °C)

STANDBY USE:13.6V-13.8V

CYCLE USE:14.7V-15.0V

INITIAL CURRENT 10.0A MAX.

NONSPILLABLE



Pb

Sealed Lead Battery
Must Be Recycled Or
Disposed Of Properly