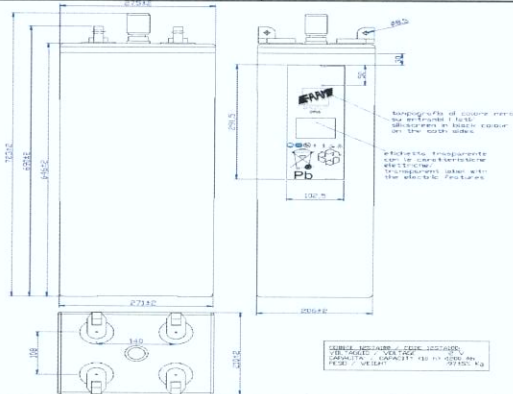
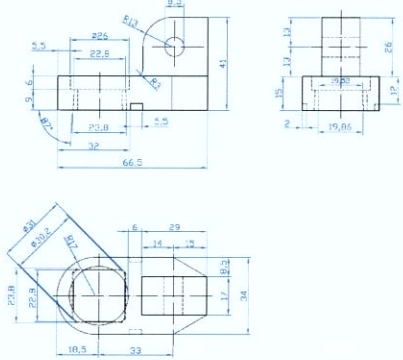
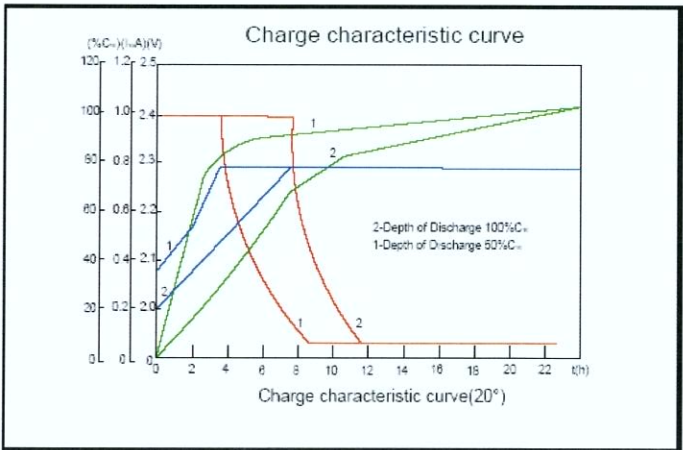
	12STA100
---	----------

PHYSICAL SPECIFICATION

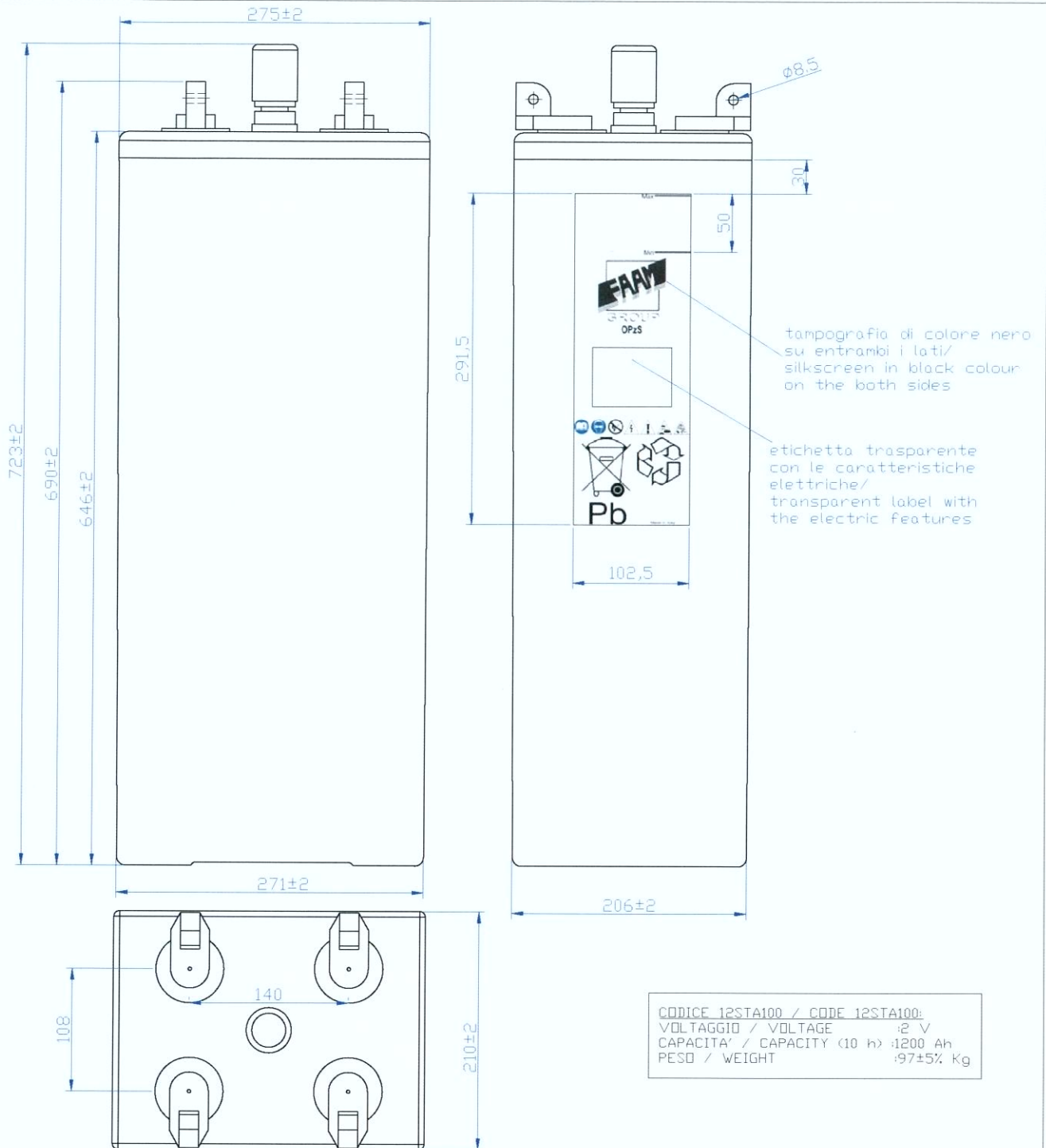
Nominal Voltage	2V	
Nominal Capacity (10Hr)	1200Ah	
Dimension	Length	210±1mm
	Width	275±1mm
	Container Height	693±1mm
	Total Height	723±1mm
Drawing 400221-0		Weight 97.0 Kg ± 5%
Standard Terminal		Bolt Type: S 8
		

ELECTRICAL SPECIFICATION

Characteristics			Charging curves @ 20°C		
Capacity	10 hour rate	1200,00Ah			
	8 hour rate	1155,44Ah			
	5 hour rate	981,00Ah			
	3 hour rate	875,76Ah			
	1 hour rate	576,00Ah			
Capacity affected by temperature	40°C	102%			
	20°C	100%			
	0°C	85%			
Internal Resistance 0,21 mΩ±10%		SCC 9600 A ±10%			
Charge Voltage	Standby	Max Charge Current 240 A			
		Floating Voltage 2,23V at 20°C			
		Boost Charge 2,40V at 20°C			
		Temperature Coefficient -20 mV/°C			

Constant Current(Amp) and Constant Power (Watt/Cell) Discharge Table at 20°C

Time		30 min	60 min	90 min	2 h	3 h	5 h	8 h	10 h	100 h	120 h
9.9V	A	745,68	561,60	454,92	396,05	302,94	207,97	148,68	126,00	16,30	13,83
	W	1747,07	1156,68	886,46	748,80	561,92	391,52	279,66	226,80	29,43	24,97
10.2V	A	705,53	544,80	445,94	388,23	291,92	206,01	147,26	124,80	16,46	13,97
	W	1665,81	1117,80	855,36	723,39	546,09	389,67	278,35	225,42	29,32	24,87
10.8V	A	573,60	480,00	408,00	355,20	275,40	196,20	141,60	120,00	15,83	13,43
	W	1354,32	972,00	777,60	668,57	510,84	369,36	263,09	216,00	28,49	24,17



1	14.02.2011	R. PARENTI	S. BALDASSARRI	R. ISIDORI	INSERITA TAMPOGRAFIA/ADDED PRINTING	
REV.	DATA/DATE	PROGETTISTA/DESIGNER	DISEGNATO/DRAWN	APPROVATO/APPROVED	DESCRIZIONE MODIFICHE/DESCRIPTION REVISIONS	
INDICAZIONI GENERALI/GENERAL INDICATION			MATERIALE/MATERIAL	R (N/m ²)	DUREZZA/HARDNESS	PROGETTISTA/DESIGNER
GRADO DI PRECISIONE/DEGREE OF ACCURACY			Pb-acide			R. PARENTI
NORMA UNI 5307/STANDARD UNI 5307			PROGETTO GENERALE-COMPLESSIVO/GENERAL PLAN-TOTAL PLAN			DISEGNATO/DRAWN
			ELEMENTI STAZIONARI ACIDO LIBERO/STATIONARY CELLS OPZS			S. BALDASSARRI
SOSTITUISCE IL/SUPERSEDES		SOSTITUITO DAL/SUPERSEDS BY	NOME FILE/NAME FILE			APPROVATO/APPROVED
			4 00221-1.dwg			F. PAGLIARINI
SCALA/SCALE		FOGLIO/SHEET	CODICE/COE	TIPO/TYPE	VERSIONE/VERSION	DATA/DATE
1:5		A4	12STA100	VASO APERTO/OPZS	CARICA/CHARGE	02.04.2007
DENOMINAZIONE/PART DESCRIPTION					DISEGNO N°-REV./DRAWING N°-REV.	TAV.
ELEMENTO STAZIONARIO ACIDO LIBERO COD. 12STA100/ STATIONARY CELL OPZS CODE 12STA100					4 00221-1	1



FAAM S.p.A. Via Monti,11 63026 Monterubbiano (AP) ITALY

Tel. ++39/07342581 Fax. ++39/0734258229 www.faam.com

Questo disegno è di proprietà della FAAM e non può essere riprodotto o reso noto senza autorizzazione scritta.
This drawing is a proprietary and shall not be reproduced or released to otherwise authorized by FAAM.