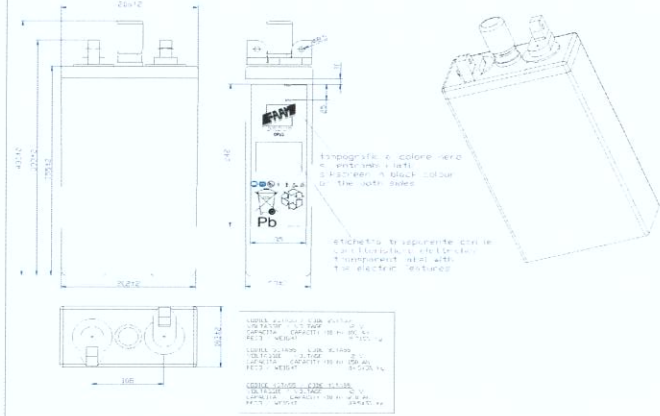
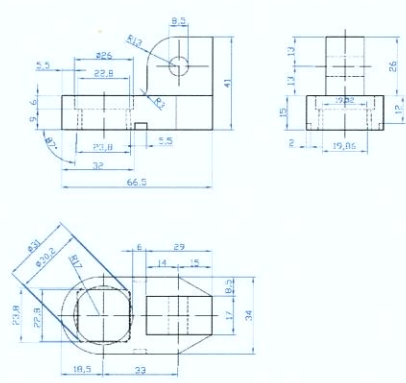
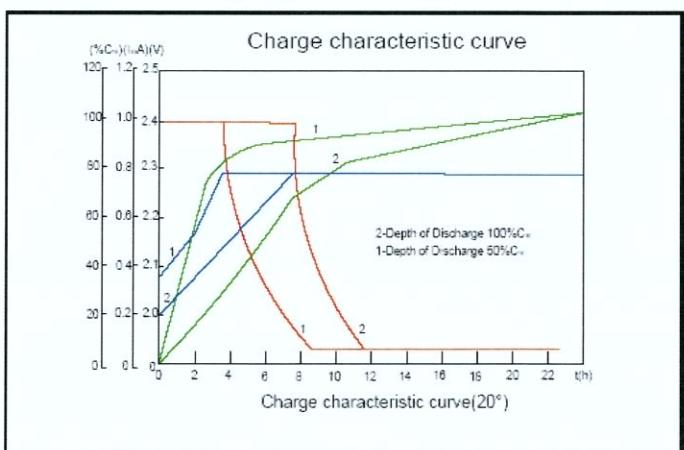
	3STA55
--	--------

PHYSICAL SPECIFICATION

Nominal Voltage	2V	
Nominal Capacity (10Hr)	150Ah	
Dimension	Length	103±1mm
	Width	206±1mm
	Container Height	402±1mm
	Total Height	432±1mm
Drawing 400179-0		Weight 14.5 Kg ± 5%
Standard Terminal		Bolt Type: S 8

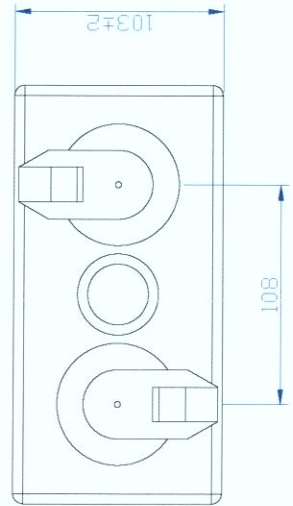
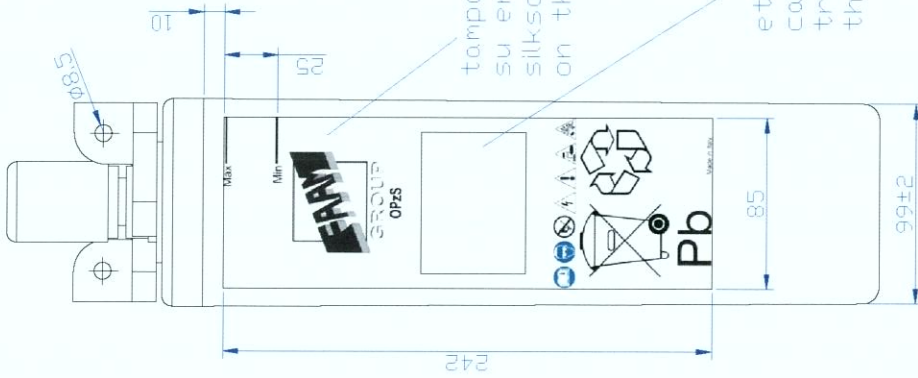
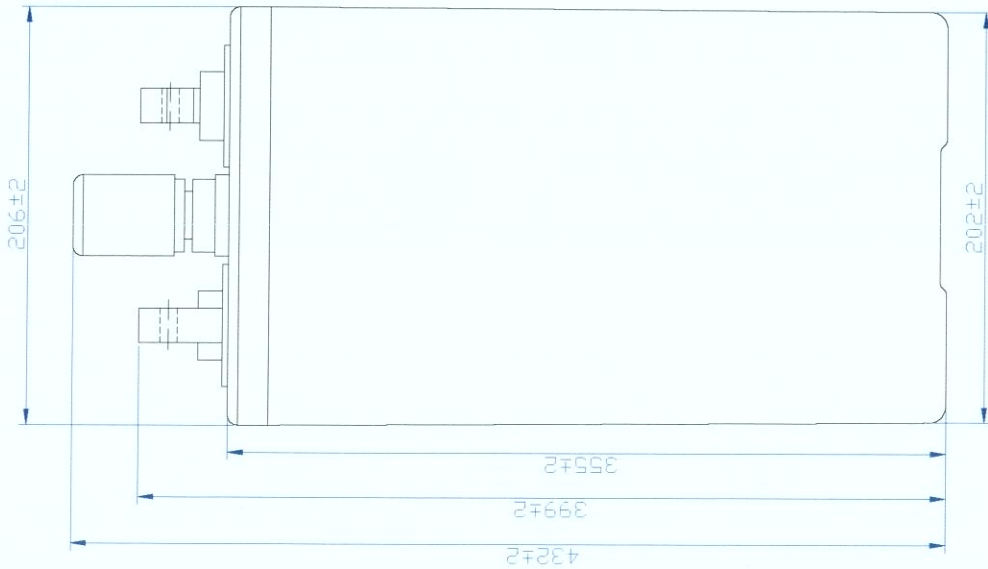
	
--	---

ELECTRICAL SPECIFICATION

Characteristics			Charging curves @ 20°C
Capacity	10 hour rate	150,00Ah	
	8 hour rate	146,88Ah	
	5 hour rate	133,15Ah	
	3 hour rate	123,27Ah	
	1 hour rate	87,03Ah	
Capacity affected by temperature	40°C	102%	
	20°C	100%	
	0°C	85%	
Internal Resistance 0,89 mΩ±10%		SCC 2250 A ±10%	
Charge Voltage	Standby	Max Charge Current 30 A Floating Voltage 2,23V at 20°C Boost Charge 2,40V at 20°C Temperature Coefficient -20 mV/°C	

Constant Current(Amp) and Constant Power (Watt/Cell) Discharge Table at 20°C

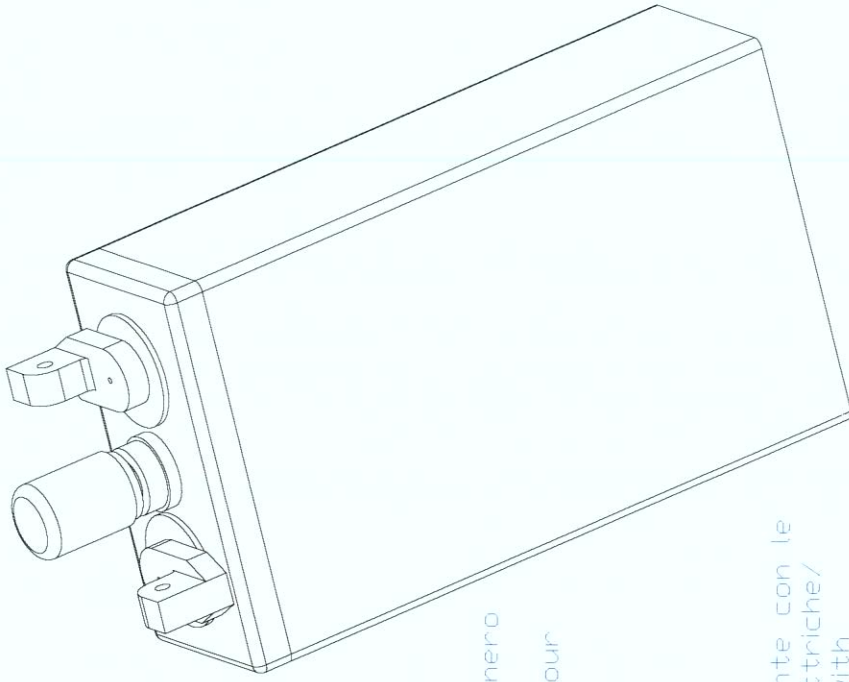
Time		30 min	60 min	90 min	2 h	3 h	5 h	8 h	10 h	100 h	120 h
1,65V	A	130,07	84,85	66,06	55,36	42,64	28,22	18,90	15,75	2,04	1,73
	W	240,22	159,04	121,89	102,96	77,26	53,83	38,45	31,19	4,05	3,43
1,70V	A	123,06	82,32	64,76	54,27	41,09	27,96	18,72	15,60	2,06	1,75
	W	229,05	153,70	117,61	99,47	75,09	53,58	38,27	30,99	4,03	3,42
1,80V	A	100,05	72,53	59,25	49,65	38,76	26,63	18,00	15,00	1,98	1,68
	W	186,22	133,65	106,92	91,93	70,24	50,79	36,17	29,70	3,92	3,32



CODICE_2STA55 / CODE_2STA55:	VOLTAGGIO / VOLTAGE	2 V
CAPACITA' / CAPACITY	(10 h)	100 Ah
PESO / WEIGHT		9.7±5% Kg
CODICE_3STA55 / CODE_3STA55:	VOLTAGGIO / VOLTAGE	2 V
CAPACITA' / CAPACITY	(10 h)	150 Ah
PESO / WEIGHT		14.5±5% Kg
CODICE_4STA55 / CODE_4STA55:	VOLTAGGIO / VOLTAGE	2 V
CAPACITA' / CAPACITY	(10 h)	200 Ah
PESO / WEIGHT		19.5±5% Kg

tampografia di colore nero
su entrambi i lati/
silkscreen in black colour
on the both sides

etichetta trasparente con le
caratteristiche elettriche/
transparent label with
the electric features



1	14/02/2011	R. PARENTI	S. BALDASSARRI	R. IZZIDEH	INVENTA / TAMPAGRAFIA/ACCIAO PRINTING	
REV.	DATA DATE	PROGETTISTA/DESIGNER	DISSEGNAUTO/DRAWN	APPROVATO/APPROVED	DESCRIZIONE MODIFICHE/DESCRIPTION REVISIONS	
OPERAZIONE GENERALE/INDUSTRIATION		MATERIALE/MATERIAL		LUNGHEZZA/LENGTH		
GRADO DI PRECISIONE/DEGREE OF ACCURACY		Pb-acide		R. PARENTI		
NORMA UNI 5807/STANDARD UNI 5807		PROGETTO GENERALE/COMPLESSIVO/GENERAL PLAN-TOTAL PLAN		DISSEGNAUTO/DRAWN		
SOSTITUZIONE L/SUBSTITUTIONS		SOSTITUITO DAL/SUBSTITUTED BY		ELEMENTI STAZIONARI ACIDO LIBERO/STATIONARY CELLS OPZS		
SEMA/SCALE		Foglio/Sheet		APPROVATO/APPROVED		
1:2.5		A3		F. PAGLIARINI		
DESCRIZIONE/PART DESCRIPTION		VASO APERTO/OPZS		CARICA/CHARGE		
ELEMENTI STAZIONARI ACIDO LIBERO COD. 2STA55 - 3STA55 - 4STA55/ STATIONARY CELLS OPZS CODES 2STA55 - 3STA55 - 4STA55		4		00179-1.dwg		
		VASO APERTO/OPZS		19.07.2008		
		4		00179-1		
		1		1		



FAAM S.p.A. Via Monti,11 63026 Monterubbiano (AP) ITALY
Tel. ++39/073425461 Fax. ++39/0734254229 www.faam.com

Questo disegno è di proprietà della FAAM e non può essere riprodotto o reso noto senza autorizzazione scritta.
This drawing is a proprietary and shall not be reproduced or released to other wise authorized by FAAM.