

# Zenith

versione/version:01/2019

BATTERIA SIGILLATA AGM DEEP-CYCLE LONGLIFE  
SEALED AGM DEEP-CYCLE LONGLIFE

## ZLS120185

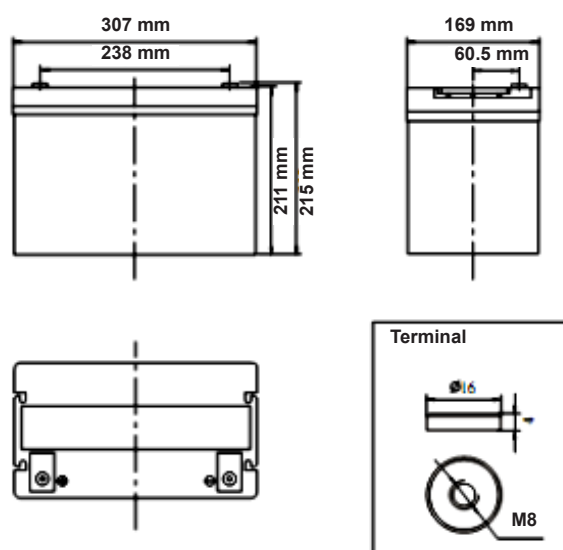


### CHARACTERISTIC / CARATTERISTICHE

Volt		12V
Capacity / Capacità	20h	105Ah
	10h	90Ah
	5h	85Ah
	2h	71Ah
Capacity affected by Temperature / Effetti delle temperature sulla capacità	40°C	102%
	25°C	100%
	0°C	70%
Self-Discharge 25°C Capacity / Autoscarica a 25°C	after 3 month storage	90%
	after 6 month storage	80%
	after 12 month storage	62%
Charge cycle / Ciclo di carica	IU + h	"In" max. 18Amp; "V1" 2.43V/cell
	IUIa	"In" max. 18Amp; "V1" 14.1V; "If" 1Amp.

### CHARACTERISTIC / CARATTERISTICHE

Battery dimensions / Dimensioni batteria			
L/L	W/P	H/A	Tot - H/A
307	169	211	215
Box Dimensions / Dimensioni scatola			
L/L	W/P	H/A	
322	184	251	
Weight / Peso	30 Kg		
Terminal / Terminali	M8		
Case / Contenitore	ABS		
Plt Qt / Qt per pallet	36		
Internal impedance / resistenza interna	<5.3mΩ		
USA Group	27		



This information is generally descriptive only and is not intended to make or imply any representation, guarantee or warranty with respect to any cells and batteries. Cell and battery designs/specifications are subject to modification without notice. Contact U.B.S. UNION BATTERY SERVICE for the latest information.

Le informazioni contenute in questa scheda tecnica sono solo descrittive e indicative, non sono una garanzia. U.B.S. UNION BATTERY SERVICE si riserva il diritto di aggiornarle/modificarle senza preavviso.



[www.unionbatteryservice.it](http://www.unionbatteryservice.it)

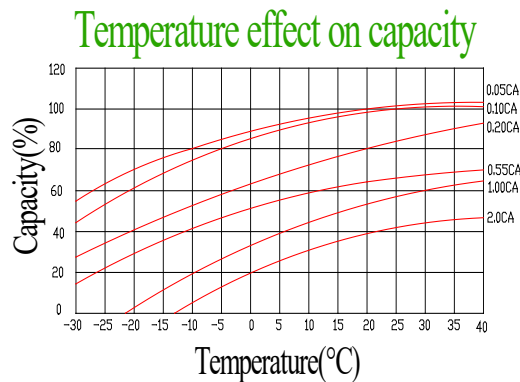
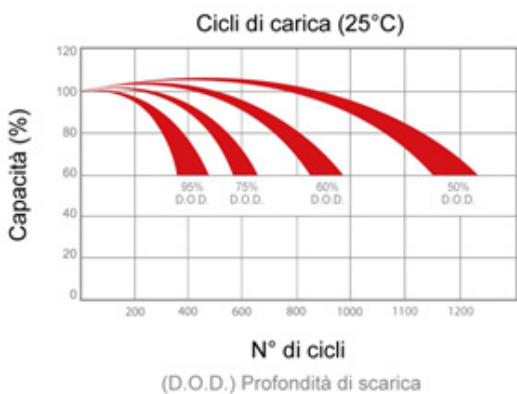
# Zenith



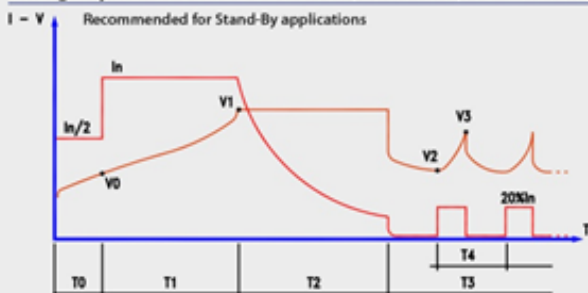
versione/version:01/2019

BATTERIA SIGILLATA AGM DEEP-CYCLE LONGLIFE  
SEALED AGM DEEP-CYCLE LONGLIFE

# ZLS120185



### Charge cycle for sealed batteries (GEL/AGM): IU + holding



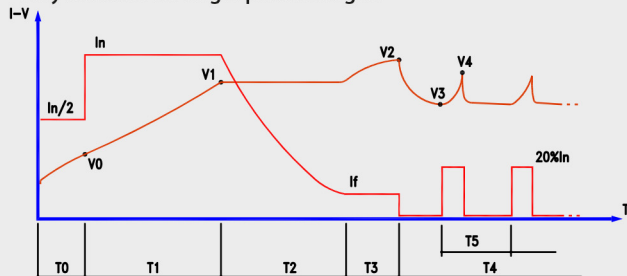
- $I_1$  = PROGRAMMED CAPACITY/10
- $V_0$  = 1,90 V/CELL
- $V_1$  = PROGRAMMED VALUE
- $V_2$  = 2,10 V/CELL
- $V_3$  = 2,30 V/CELL
- $T_0$  = MAX. 1 HR
- $T_1$  = MAX. 12 HRS
- $T_2$  =  $T_1$  (MIN. 2-MAX. 5 HRS)
- $T_3$  = UNLIMITED

"IUIa" charge cycle is always recommended in case of more than 2 batteries in series

Ciclo di carica "IUIa" è sempre necessario qualora ci siano più di 2 batterie collegate in serie.

### IUIa charge cycle

Only available for single-phase chargers



- $I_1$  = PROGRAMMED VALUE (CHARGE I)
- $I_2$  = PROGRAMMED VALUE (FINAL I)
- $V_0$  = 1,90 V/CELL
- $V_1$  = PROGRAMMED VALUE (THRESHOLD V)
- $V_2$  = PROGRAMMED VALUE (LOCK V)
- $V_3$  = 2,10 V/CELL
- $V_4$  = 2,30 V/CELL
- $T_0$  = MAX. 1 HR
- $T_1$  = MAX. 12 HRS
- $T_2$  = MAX.  $T_1 + 6$  HRS OR  $I = I_2$
- $T_3$  = MAX. 4 HRS
- $T_4$  = UNLIMITED
- $T_5$  = MAX. 6 HRS

This information is generally descriptive only and is not intended to make or imply any representation, guarantee or warranty with respect to any cells and batteries. Cell and battery designs/specifications are subject to modification without notice. Contact U.B.S. UNION BATTERY SERVICE for the latest information.

Le informazioni contenute in questa scheda tecnica sono solo descrittive e indicative, non sono una garanzia. U.B.S. UNION BATTERY SERVICE si riserva il diritto di aggiornarle/modificarle senza preavviso.



[www.unionbatteryservice.it](http://www.unionbatteryservice.it)