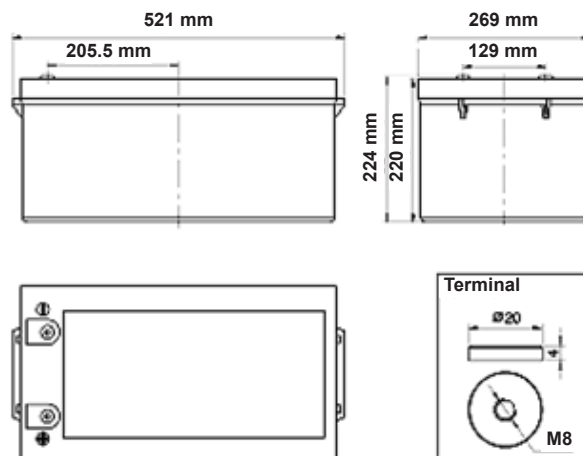


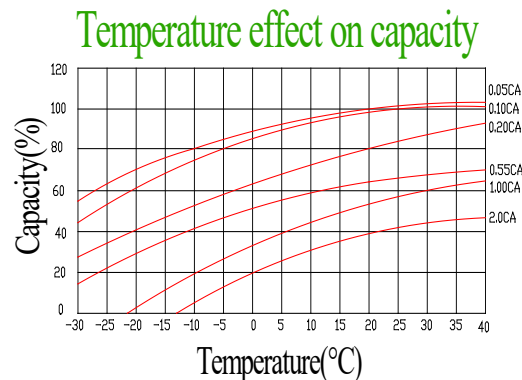
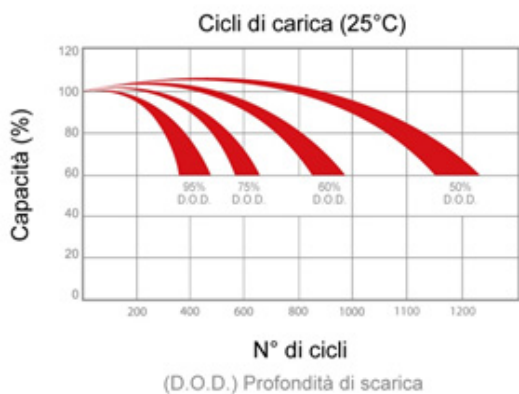
# ZLS1201145



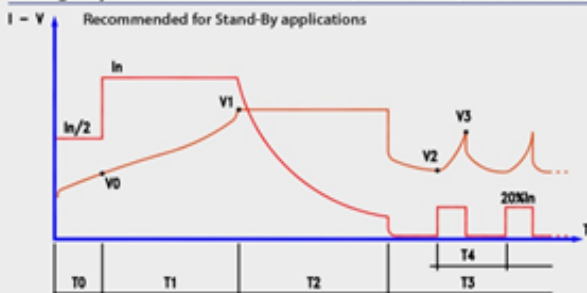
CHARACTERISTIC / CARATTERISTICHE		
Volt		12V
Capacity / Capacità	20h	260Ah
	10h	234Ah
	5h	213Ah
	2h	183Ah
Capacity affected by Temperature / Effetti delle temperature sulla capacità	40°C	102%
	25°C	100%
	0°C	70%
Self-Discharge 25°C Capacity / Autoscarica a 25°C	after 3 month storage	90%
	after 6 month storage	80%
	after 12 month storage	62%
Charge cycle / Ciclo di carica	IU + h	"In" max. 45Amp; "V1" 2.43V/cell
	IUIa	"In" max. 45Amp; "V1" 14.4Volt; "If" 2Amp.

CHARACTERISTIC / CARATTERISTICHE			
Battery dimensions / Dimensioni batteria			
L/L	W/P	H/A	Tot - H/A
521	269	220	224
Box Dimensions / Dimensioni scatola			
L/L	W/P	H/A	
537	221	296	
Weight / Peso		77.8 Kg	
Terminal / Terminali		M8	
Case / Contenitore		ABS	
Plt Qt / Qt per pallet		12	
Internal impedance/ resistenza interna		<1.6mΩ	
USA Group		8D	





### Charge cycle for sealed batteries (GEL/AGM): IU + holding



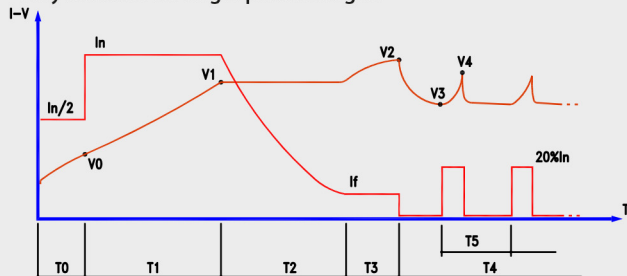
- $I_n$  = PROGRAMMED CAPACITY/10
- $V_0$  = 1,90 V/CELL
- $V_1$  = PROGRAMMED VALUE
- $V_2$  = 2,10 V/CELL
- $V_3$  = 2,30 V/CELL
- $T_0$  = MAX. 1 HR
- $T_1$  = MAX. 12 HRS
- $T_2$  =  $T_1$  (MIN. 2-MAX. 5 HRS)
- $T_3$  = UNLIMITED

"IUIa" charge cycle is always recommended in case of more than 2 batteries in series

Ciclo di carica "IUIa" è sempre necessario qualora ci siano più di 2 batterie collegate in serie.

### IUIa charge cycle

Only available for single-phase chargers



- $I_n$  = PROGRAMMED VALUE (CHARGE I)
- $I_f$  = PROGRAMMED VALUE (FINAL I)
- $V_0$  = 1,90 V/CELL
- $V_1$  = PROGRAMMED VALUE (THRESHOLD V)
- $V_2$  = PROGRAMMED VALUE (LOCK V)
- $V_3$  = 2,10 V/CELL
- $V_4$  = 2,30 V/CELL
- $T_0$  = MAX. 1 HR
- $T_1$  = MAX. 12 HRS
- $T_2$  = MAX.  $T_1 + 6$  HRS OR  $I = I_f$
- $T_3$  = MAX. 4 HRS
- $T_4$  = UNLIMITED
- $T_5$  = MAX. 6 HRS