

# Zenith

versione/version:01/2019

**BATTERIA SIGILLATA AGM DEEP-CYCLE LONGLIFE  
SEALED AGM DEEP-CYCLE LONGLIFE**

# ZLS120150

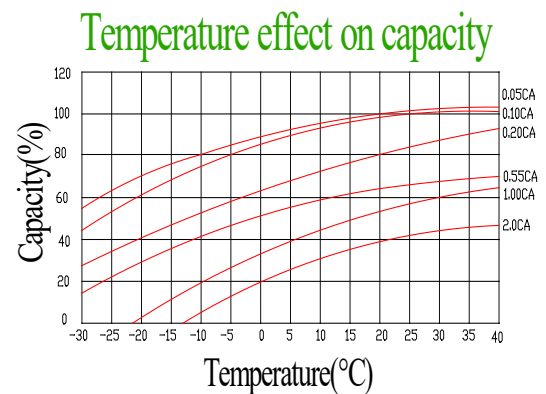
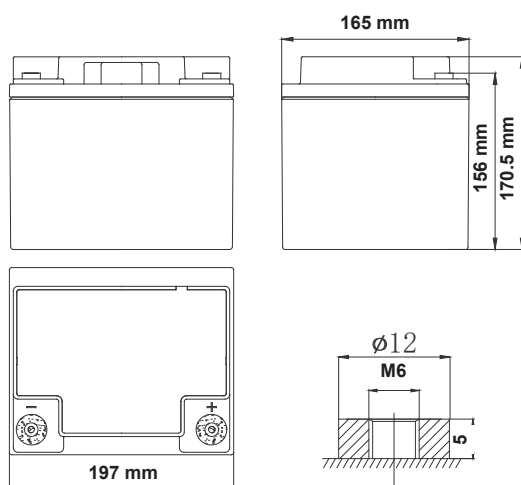


### CHARACTERISTIC / CARATTERISTICHE

Volt	12V	
Capacity / Capacità 25°C	20h (1.85V/cell)	45Ah
	5h (1.85V/cell)	35Ah
	2h (1.75V/cell)	32Ah
Capacity affected by Temperature / Effetti delle temperature sulla capacità	40°C	102%
	25°C	100%
	10°C	90%
	0°C	70%
	-10°	50%
Self-Discharge 25°C Capacity / Autoscarica a 25°C	after 3 month storage	90%
	after 6 month storage	80%
	after 12 month storage	70%
Charge cycle / Ciclo di carica	IU + h	"In" max.9Amp;"V1" 2.43V/cell
	IUIa	"In" max. 9Amp;"V1" 14.4Volt;"If" 0.5Amp.

### CHARACTERISTIC / CARATTERISTICHE

Battery dimensions / Dimensioni batteria			
L/L	W/P	H/A	Tot - H/A
197	166	170.5	170.5
Weight / Peso		14.3Kg	
Plt Qt / Qt per pallet		60	
Terminal / Terminali		M6	
Case / Contenitore		ABS	
Internal impedance/ resistenza interna		<7.1mΩ	



This information is generally descriptive only and is not intended to make or imply any representation, guarantee or warranty with respect to any cells and batteries. Cell and battery designs/specifications are subject to modification without notice. Contact U.B.S. UNION BATTERY SERVICE for the latest information.

Le informazioni contenute in questa scheda tecnica sono solo descrittive e indicative, non sono una garanzia. U.B.S. UNION BATTERY SERVICE si riserva il diritto di aggiornarle/modificarle senza preavviso.



[www.unionbatteryservice.it](http://www.unionbatteryservice.it)

# Zenith

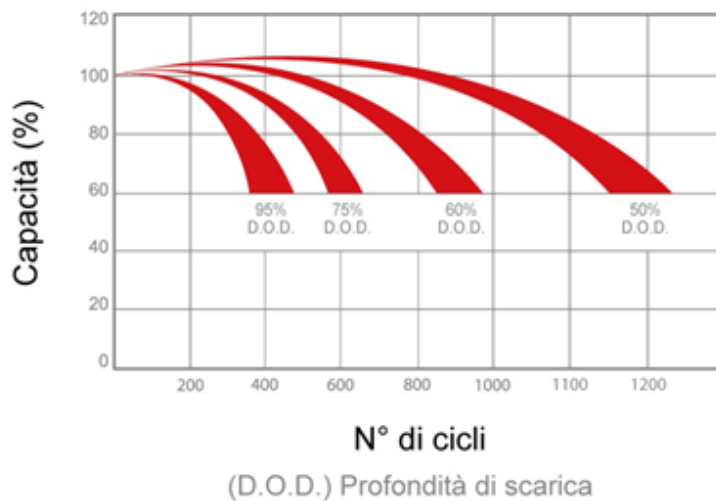
versione/version:01/2019

BATTERIA SIGILLATA AGM DEEP-CYCLE LONGLIFE  
SEALED AGM DEEP-CYCLE LONGLIFE

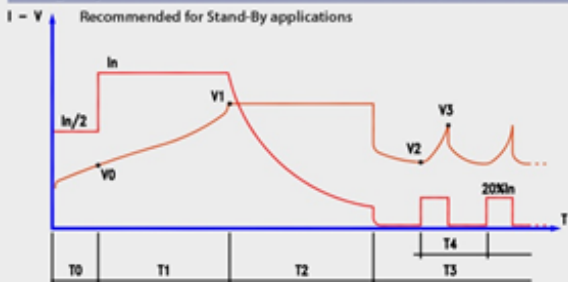
# ZLS120150



Cicli di carica (25°C)



### Charge cycle for sealed batteries (GEL/AGM): IU + holding

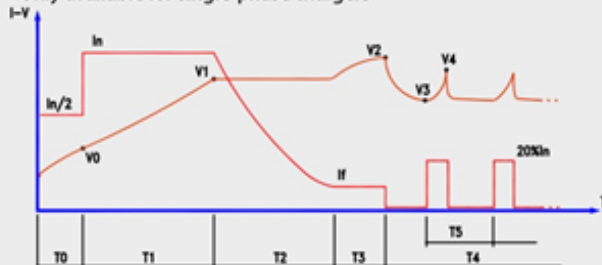


- In = PROGRAMMED CAPACITY/10
- V0 = 1.90 V/CELL
- V1 = PROGRAMMED VALUE
- V2 = 2.10 V/CELL
- V3 = 2.30 V/CELL
- T0 = MAX. 1 HR
- T1 = MAX. 12 HRS
- T2 = T1 (MIN. 2-MAX. 5 HRS)
- T3 = UNLIMITED

"IUa" charge cycle is always recommended in case of more than 2 batteries in series  
Ciclo di carica "IUa" è sempre necessario qualora ci siano più di 2 batterie collegate in serie

### IUa charge cycle

Only available for single-phase chargers



- In = PROGRAMMED VALUE (CHARGE I)
- If = PROGRAMMED VALUE (FINAL I)
- V0 = 1.90 V/CELL
- V1 = PROGRAMMED VALUE (THRESHOLD V)
- V2 = PROGRAMMED VALUE (LOCK V)
- V3 = 2.10 V/CELL
- V4 = 2.30 V/CELL
- T0 = MAX. 1 HR
- T1 = MAX. 12 HRS
- T2 = MAX. T1+6 HRS OR I = IF
- T3 = MAX. 4 HRS
- T4 = UNLIMITED
- T5 = MAX. 6 HRS

This information is generally descriptive only and is not intended to make or imply any representation, guarantee or warranty with respect to any cells and batteries. Cell and battery designs/specifications are subject to modification without notice. Contact U.B.S. UNION BATTERY SERVICE for the latest information.

Le informazioni contenute in questa scheda tecnica sono solo descrittive e indicative, non sono una garanzia. U.B.S. UNION BATTERY SERVICE si riserva il diritto di aggiornarle/modificarle senza preavviso.



[www.unionbatteryservice.it](http://www.unionbatteryservice.it)