

Zenith

versione/version:01/2019

**BATTERIA SIGILLATA AGM DEEP-CYCLE LONGLIFE
SEALED AGM DEEP-CYCLE LONGLIFE**

ZLS120175

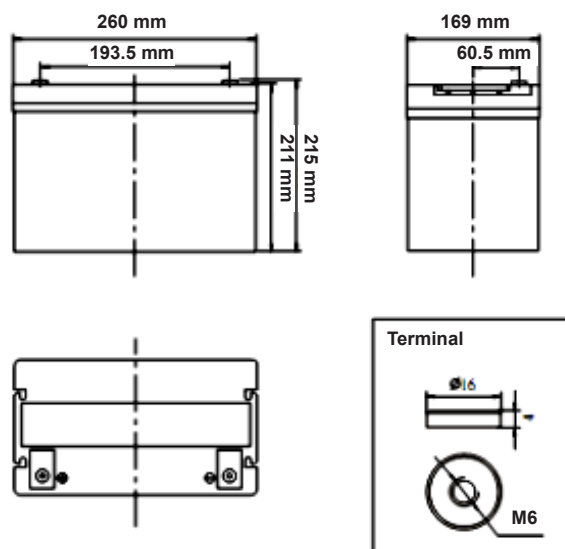


CHARACTERISTIC / CARATTERISTICHE

Volt		12V
Capacity / Capacità	20h	85Ah
	10h	77Ah
	5h	70Ah
	2h	60Ah
Capacity affected by Temperature / Effetti delle temperature sulla capacità	40°C	102%
	25°C	100%
	0°C	70%
Self-Discharge 25°C Capacity / Autoscarica a 25°C	after 3 month storage	90%
	after 6 month storage	80%
	after 12 month storage	62%
Charge cycle / Ciclo di carica	IU + h	"In" max. 15Amp; "V1" 2.43V/cell
	IUIa	"In" max. 15Amp; "V1" 14.1V; "If" 1Amp.

CHARACTERISTIC / CARATTERISTICHE

Battery dimensions / Dimensioni batteria			
L/L	W/P	H/A	Tot - H/A
260	169	215	219
Box Dimensions / Dimensioni scatola			
L/L	W/P	H/A	
275	182	272	
Weight / Peso	26 Kg		
Terminal / Terminali	M6		
Case / Contenitore	ABS		
Plt Qt / Qt per pallet	48		
Internal impedance/ resistenza interna	<5.5mΩ		
USA Group	24		



This information is generally descriptive only and is not intended to make or imply any representation, guarantee or warranty with respect to any cells and batteries. Cell and battery designs/specifications are subject to modification without notice. Contact U.B.S. UNION BATTERY SERVICE for the latest information.

Le informazioni contenute in questa scheda tecnica sono solo descrittive e indicative, non sono una garanzia. U.B.S. UNION BATTERY SERVICE si riserva il diritto di aggiornarle/modificarle senza preavviso.



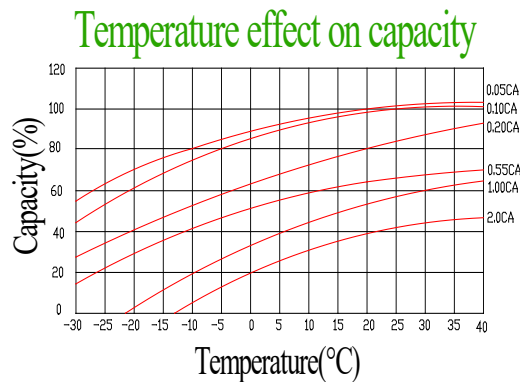
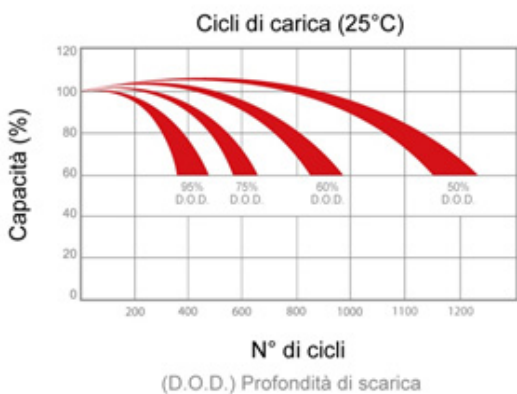
www.unionbatteryservice.it

Zenith

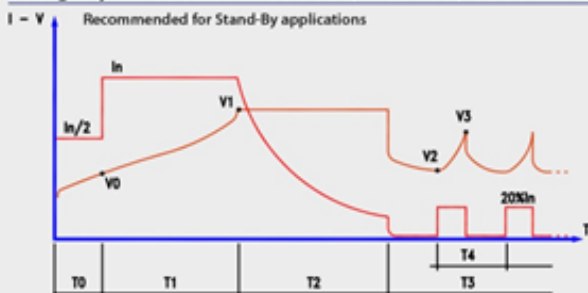
versione/version:01/2019

BATTERIA SIGILLATA AGM DEEP-CYCLE LONG LIFE
SEALED AGM DEEP-CYCLE LONG LIFE

ZLS120175



Charge cycle for sealed batteries (GEL/AGM): IU + holding



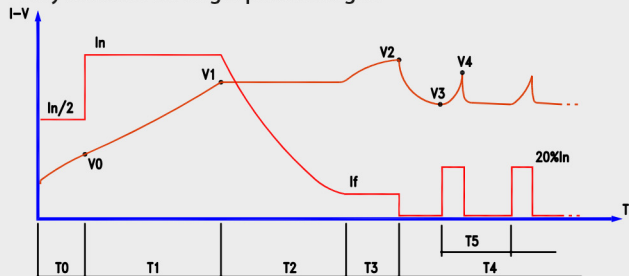
- I_n = PROGRAMMED CAPACITY/10
- V_0 = 1,90 V/CELL
- V_1 = PROGRAMMED VALUE
- V_2 = 2,10 V/CELL
- V_3 = 2,30 V/CELL
- T_0 = MAX. 1 HR
- T_1 = MAX. 12 HRS
- T_2 = T_1 (MIN. 2-MAX. 5 HRS)
- T_3 = UNLIMITED

"IUIa" charge cycle is always recommended in case of more than 2 batteries in series

Ciclo di carica "IUIa" è sempre necessario qualora ci siano più di 2 batterie collegate in serie.

IUIa charge cycle

Only available for single-phase chargers



- I_n = PROGRAMMED VALUE (CHARGE I)
- I_f = PROGRAMMED VALUE (FINAL I)
- V_0 = 1,90 V/CELL
- V_1 = PROGRAMMED VALUE (THRESHOLD V)
- V_2 = PROGRAMMED VALUE (LOCK V)
- V_3 = 2,10 V/CELL
- V_4 = 2,30 V/CELL
- T_0 = MAX. 1 HR
- T_1 = MAX. 12 HRS
- T_2 = MAX. T_1+6 HRS OR $I = I_f$
- T_3 = MAX. 4 HRS
- T_4 = UNLIMITED
- T_5 = MAX. 6 HRS

This information is generally descriptive only and is not intended to make or imply any representation, guarantee or warranty with respect to any cells and batteries. Cell and battery designs/specifications are subject to modification without notice. Contact U.B.S. UNION BATTERY SERVICE for the latest information.

Le informazioni contenute in questa scheda tecnica sono solo descrittive e indicative, non sono una garanzia. U.B.S. UNION BATTERY SERVICE si riserva il diritto di aggiornarle/modificarle senza preavviso.



www.unionbatteryservice.it