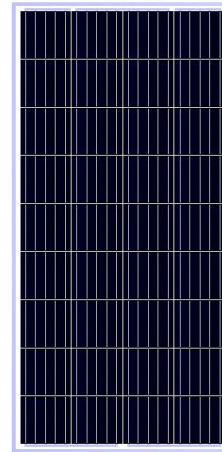
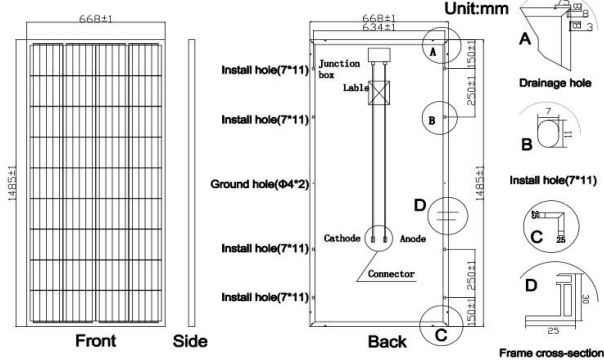


160W Poly solar panel (1485*668*30)



Specifications

* STC: irradiance 1000 W/m², AM 1.5, G and cell temperature of 25°C

Peak Power(Pmax)	160.00
Maximum Power Voltage(Vmp)	18.34
Maximum Power Current(Imp)	8.73
Open Circuit Voltage(Voc)	22.47
Short Circuit Current(Isc)	9.19
Cells Efficiency(%)	18.09
Module Efficiency(%)	16.13

* NOCT: irradiance 800 W/m², AM 1.5G, ambient temperature 20°C, wind speed 1 m/s

Peak Power(Pmax)	119.00
Maximum Power Voltage(Vmp)	16.88
Maximum Power Current(Imp)	7.05
Open Circuit Voltage(Voc)	20.80
Short Circuit Current(Isc)	7.47

Maximum System Voltage(V)	1000/1500
Maximum Series Fuse Rating(A)	15
Power Tolerance	0 ~ +3 %
Pmax Temperature Coefficients(W/°C)	-0.400 %
Voc Temperature Coefficients(V/°C)	-0.300 %
Isc Temperature Coefficients(A/°C)	+0.060 %
NOCT Nominal Operating Cell Temperature(°C)	45±2
Operating and Storage Temperature(°C)	-40 ~ +85

Mechanical characteristics

Cell Type	156.75x156.75 Poly
No. of Cells	36(4x9)
Dimensions	1485x668x30
Weight	11.0kg
Front Glass	3.2mm high transmission, low iron, tempered glass
Frame	Anodized Aluminium Alloy
Junction box	IP65/IP67
Output cables	4mm ² cable 90cm+mc4
MaxWind Load/Snow	2400Pa/5400Pa

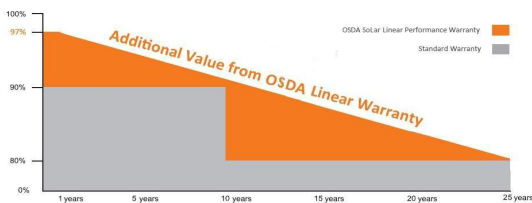
Packing list

20FT container	14 Packages/ 616pcs
40HQ container	45 Packages/1575PCS

Product Standard

Product Performance	IEC61215
Product Safety	IEC61730

Warranty



12 YEARS

Guarantee on product material and workmanship

30 YEARS

Linear Power output warranty



IV Cure

