

Monocrystalline Photovoltaic Module »



MEPV 120 ULTRA PREMIUM

BLACK » 400 Wp

QUALITY »



IBC technology
Interdigitated
back contact



N-type cell
120 Half-Cut IBC



Staubli MC4
Top quality components



Premium integration
Total black



Long durability
90% at the 30th year



Efficiency
Over 22% efficiency



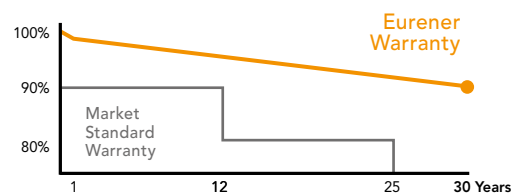
1997 to 2022
25TH
ANNIVERSARY

*** EUROPEAN QUALITY

WARRANTIES »

20 YEARS PRODUCT WARRANTY

30 YEARS PERFORMANCE WARRANTY
Linear Warranty



CERTIFICATES »



TECHNICAL FEATURES »

Eurener_MEPV 120_ULTRA PREMIUM_400Wp_2022EN

FRAME

Black anodized aluminium

Robust and resistant to corrosion

CONNECTION BOX AND PROTECTIONS

Sealed, robust and wide for heat dissipation

IP68 according to IEC 60529

Diodes by-pass built-in (3/6)

Connector MC4

Application Class A. Safety Class II

Cables 1000 mm ($\pm 20\%$) length and 4 mm² section

FRONTAL

3,2 mm thick tempered glass with high strength and ARC

Textured, extra-clear with low iron content

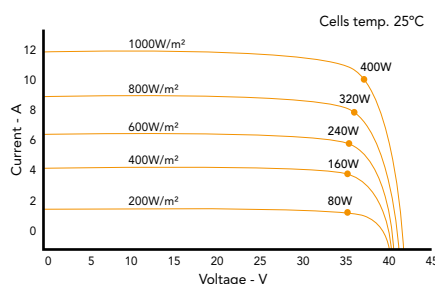
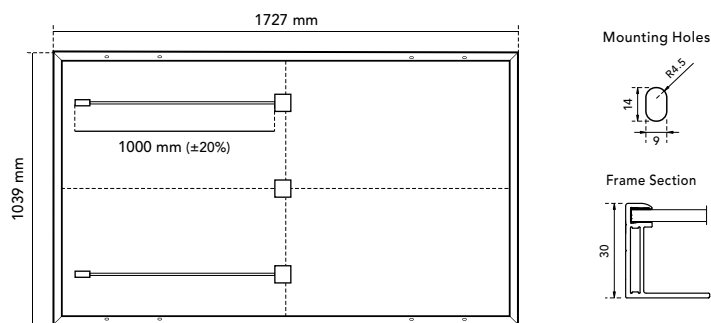
Frontal load (snow) 5400 Pa | Back load (wind) 2400 Pa

SOLAR CELLS

120 (6x20) cells monocrystalline silicon

WEIGHT, DIMENSIONS AND PACKAGING

20 Kg | 1727 x 1039 x 30 mm ($\pm 1\%$) | Pack: 949 pcs-truck



ELECTRIC DATA »

BLACK	MEPV 400
STC: 1000 W/m², module temperature 25°C, AM 1,5	
Nominal power. Pmax	400 Wp
Max. power tolerance. Pmax	0 / +5 W
Area of the module	1,79 m ²
Module efficiency	22,30 %
Isc	12,05 A
Voc	42,10 V
Imp	11,09 A
Vmp	36,10 V
NOCT: 800 W/m², ambient temperature 20°C, AM 1,5	
Nominal power. Pmax	302 W
Isc	9,65 A
Voc	40,30 V
Imp	9,02 A
Vmp	33,50 V
Operating parameters. Temperature coefficients	
Maximum voltage	1500 V
Maximum series fuse rating. Ir	20 A
α Isc	0,046 % / °C
β Voc	- 0,246 % / °C
γ Pmax	- 0,290 % / °C
Temperature range	- 40°C ~ + 85 °C
NOCT	43 \pm 2 °C

NOTE: Read the instruction manual of this product and follow the indications STC. Values are valid for: 1000W/m², AM 1,5 and cells temperature of 25°C. Measurement tolerance $\pm 3\%$ (AAA Solar simulation -IEC 60.904-9-). All the information of this brochure may be amended without notice by Eurener. Eurener_MEPV 120_ULTRA PREMIUM_400Wp_EN_JUL2022

1997 to 2022
25TH
ANNIVERSARY

www.eurenergroupp.com
contact@eurenerworld.com
+34 960 045 515
Calle Colón, 1-23
46004, Valencia. Spain

www.x-win.it
info@x-win.it
+39 091.7836928
Via Calcante 20
90147 Palermo. Italy





TSUN Easy Solar Kit Transformer

TSOL-ESK400-TB/TS



Suitable For

A Variety of Scenarios



Balcony



Wall



Railing...

Suitable For

Multiple PV modules

Length of PV Module: > 910 mm

Width of PV Module: 510 mm ~ 1150 mm

Thickness of PV Module: 35 / 30 mm Optional

Power of PV Module: < 450 W

Suitable For

Adjustable Angle

According to different installation environments and requirements, the angle of the bracket can be adjusted to obtain the maximum power generation.

TSUNESS Co., Ltd

sales@tsun-ess.com www.tsun-ess.com +86-512-66186028

Technical Data

Model	TSOL-ESK400-TB/TS	
Microinverter Parameter		
Microinverter Model	TSOL-M400	
Recommended Module Power(STC Pmax)	280 - 440	
Max. DC Voltage per Input (V)	60	
Max. DC Current per Input (A)	11.5	
Max. DC Short Circuit Current per Input (A)	15	
Input Connector Type	MC4	
Max. Continuous Output Power (W)	350	
Max. Output Current (A)	1.59	
Nominal Output Voltage (V)*	220/230/240	
Nominal Frequency (Hz)*	50/60	
Power Factor	>0.99	
Output Current Harmonic Distortion	<3%	

Bracket Parameter		
Length of Solar Module (mm)	> 900	
Width of Solar Module (mm)	> 500 ; < 1150	
Thickness of Solar Module (mm)	35 (30 optional)	
Optional Accessories	Clevises * 2 ; Wire Ropes * 4	

AC End Cable Parameter		
Length of Cable (m)	2.1	
Wire Gauge	3 * 1.5 mm ²	
Plug Type	Depending on specific country	

General Parameter		
Package Size per bracket (W×H×D mm)	885×360×108	
Gross Weight per bracket (kg)	12	
Environmental Protection Rating	IP67	
Operating Ambient Temperature Range	-40 °C to 60 °C	
Relative Humidity	0-100%	
Max. Operating Altitude Without Derating [m]	2000	

* The AC voltage and frequency range may vary depending on specific country grid.

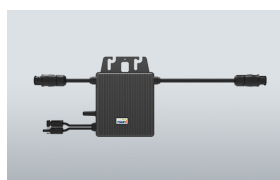
Ordering Information

Ordering NO.	Model	Description
04.01.01.009	TSOL-ESK400-TS	Metal bracket, M400 microinverter, 2m end cable
04.01.01.010	TSOL-ESK400-TB	Black Metal bracket, M400 microinverter, 2m end cable
04.01.02.001	Socket Meter	Socket Meter
04.01.02.002	Socket Meter-W	Socket Meter, WiFi

Standard Configuration



Bracket



Microinverter



Install Accessories



PV Module(Optional)

For more information , visit / contact us at www.tsun-ess.com

© 2022 TSUNESS . All rights reserved. All specifications are subject to change without prior notice